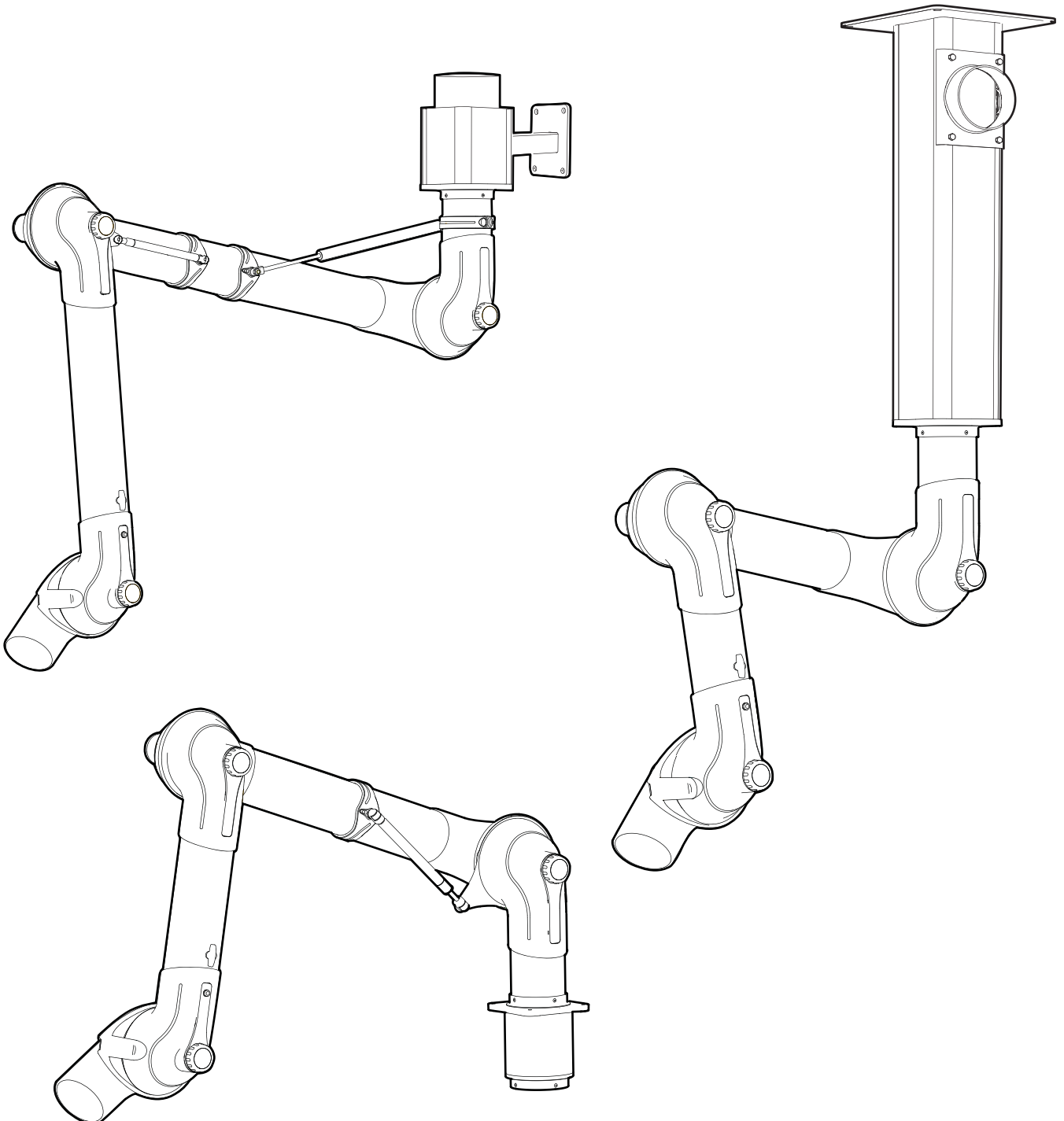


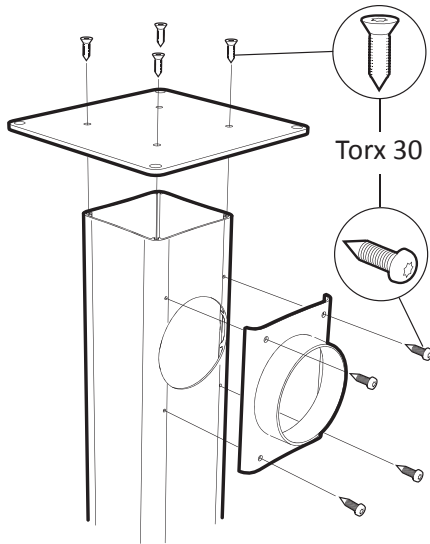
MOVEX®

ME 100

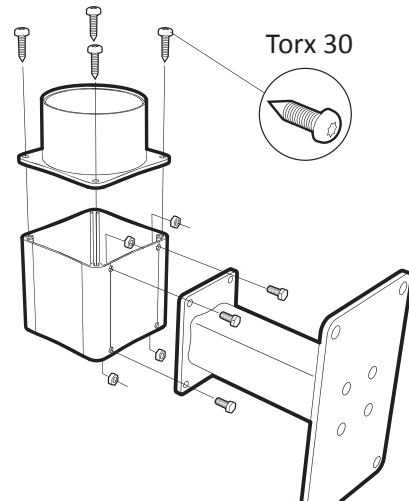


IMPORTANT: For all mounting versions: when facing the extractor, all black tension-adjustment knobs should be on the user's right hand side.

MTI

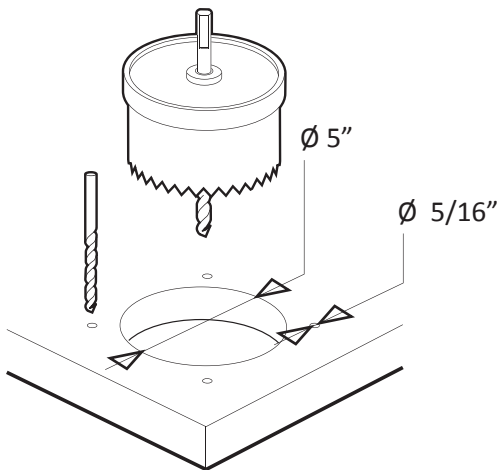


MVK

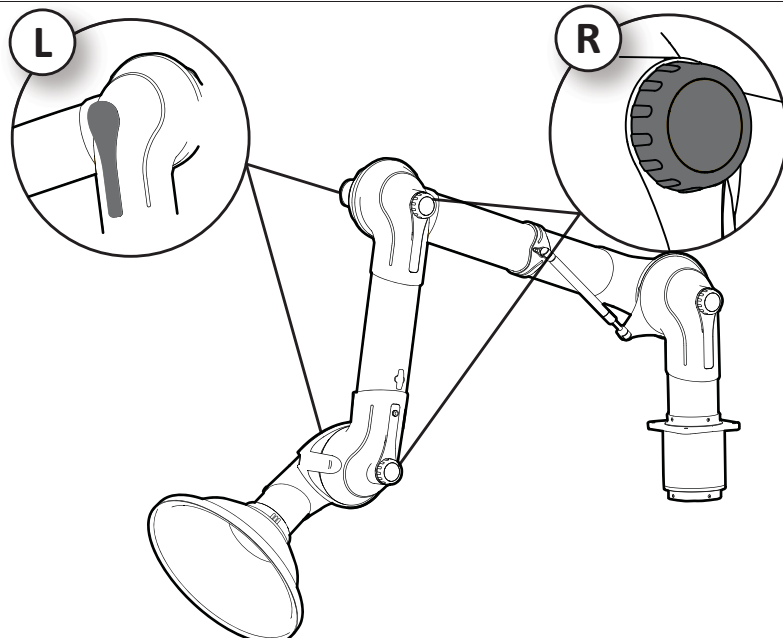
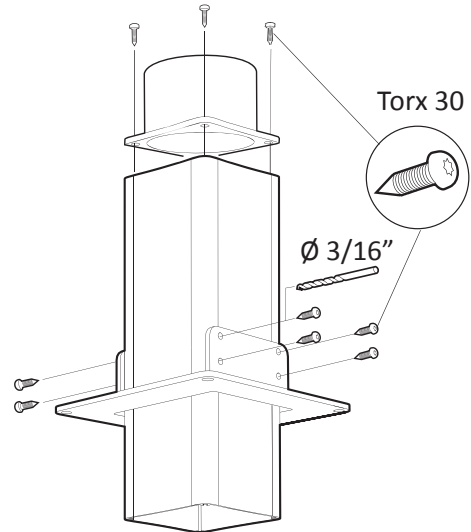


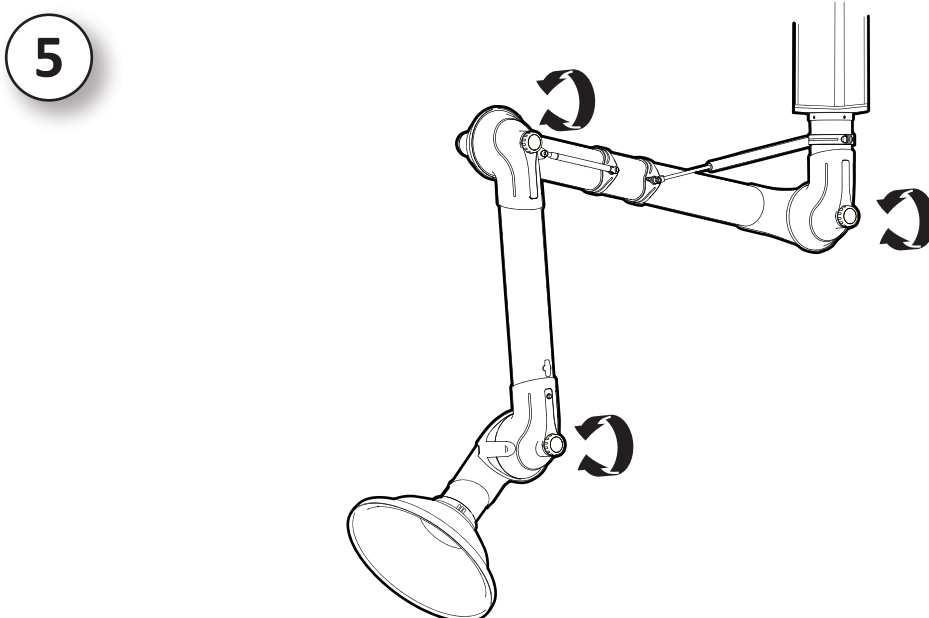
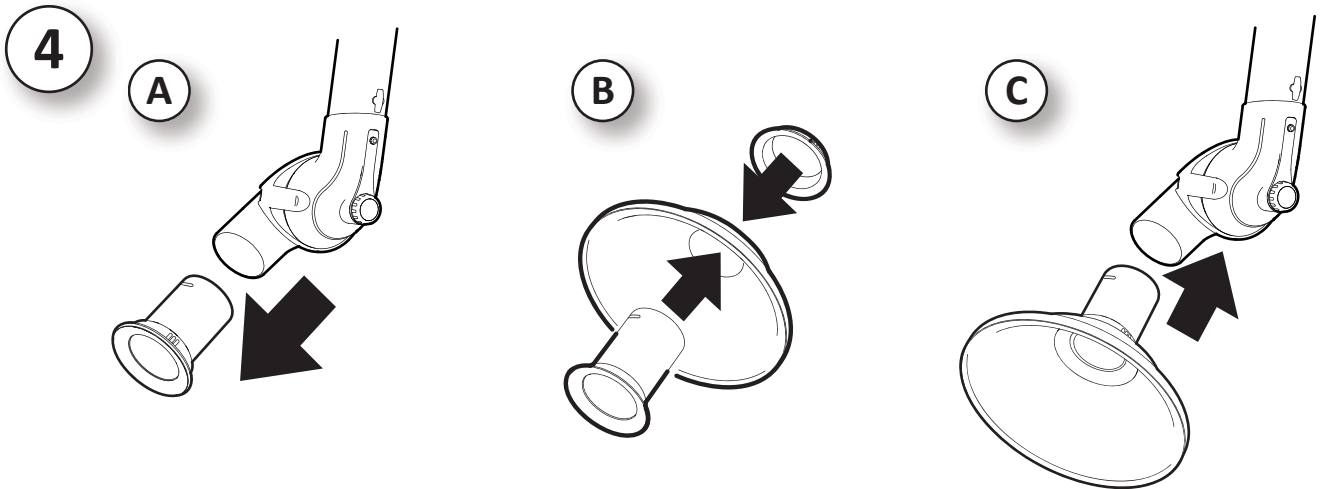
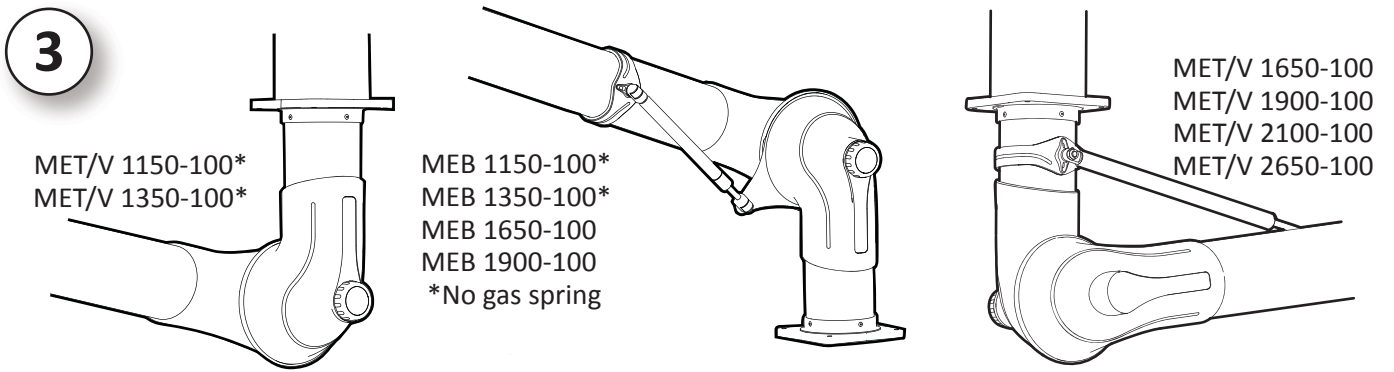
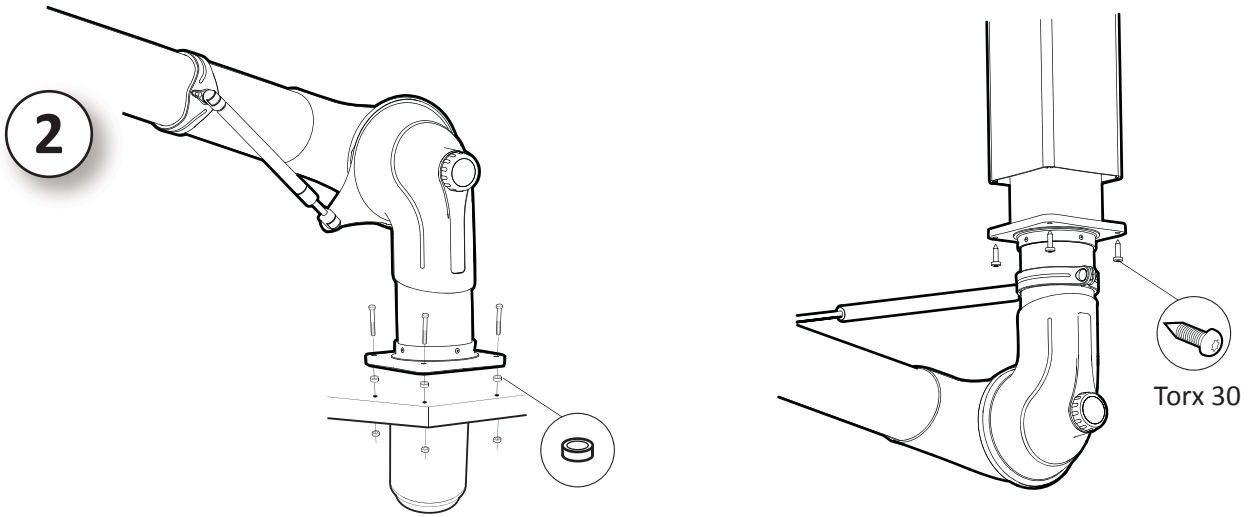
1

MEB

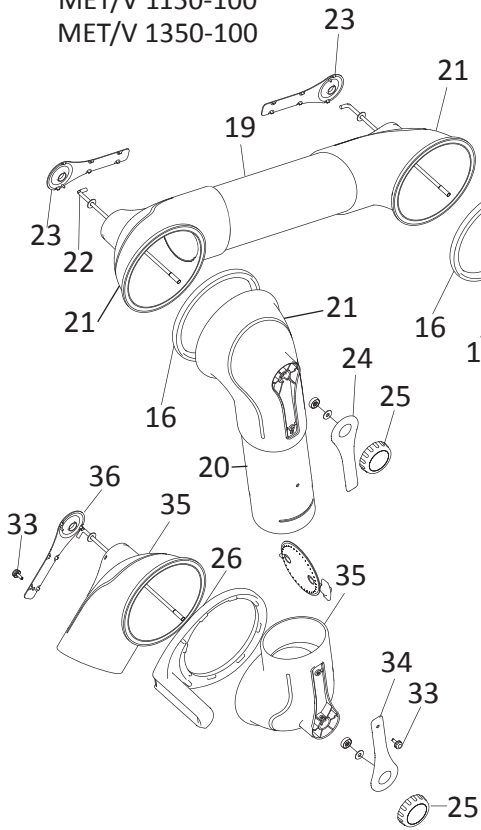


MTF

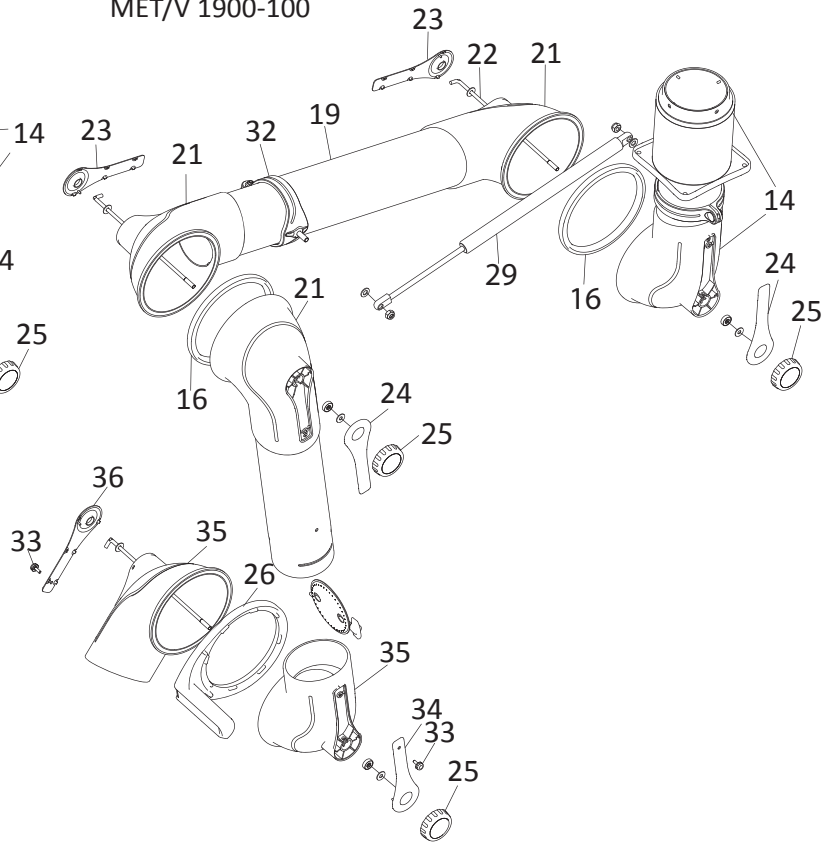




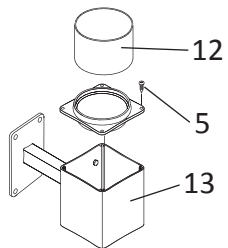
MET/V 1150-100
MET/V 1350-100



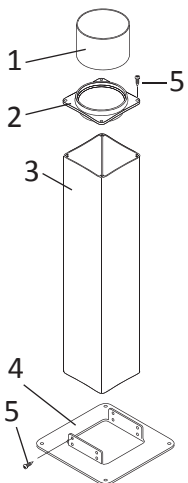
MET/V 1650-100
MET/V 1900-100



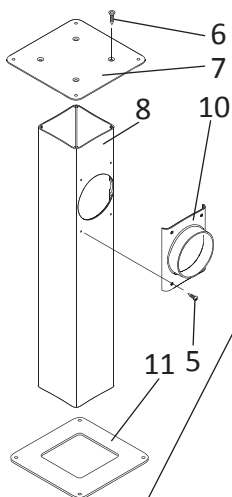
MVK



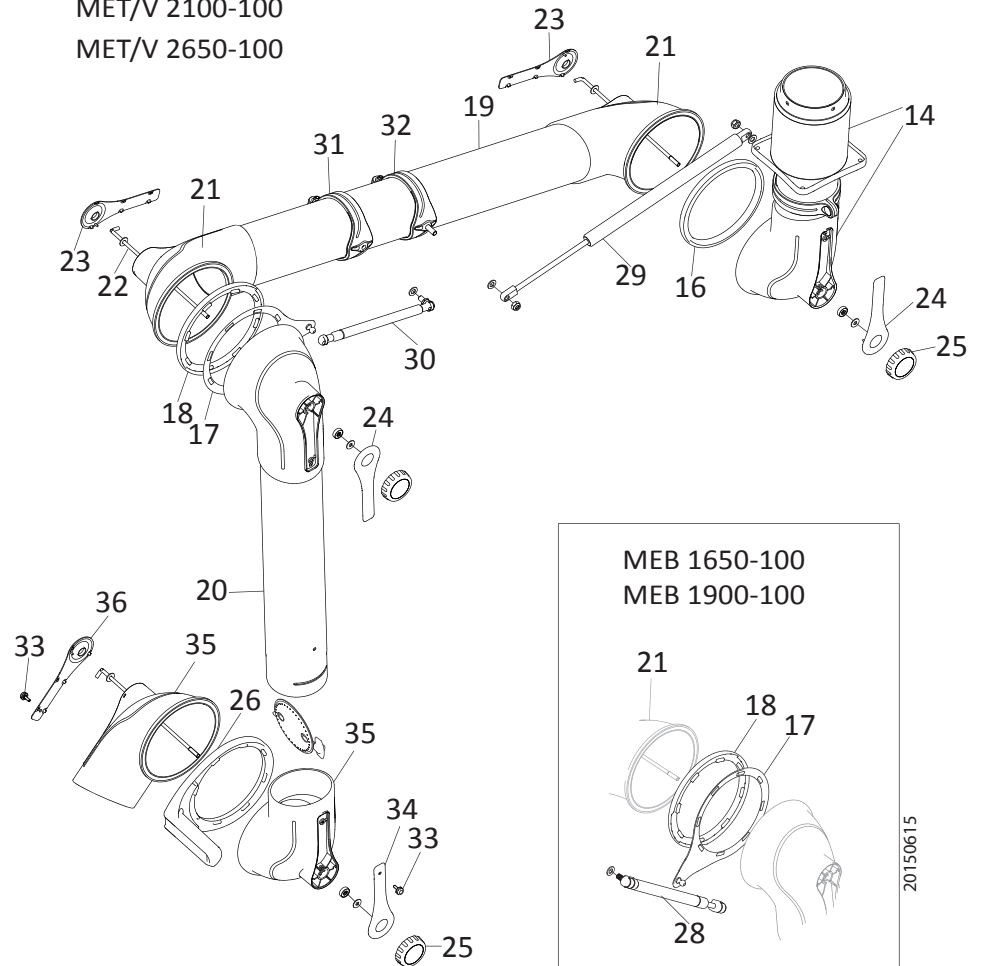
MTF



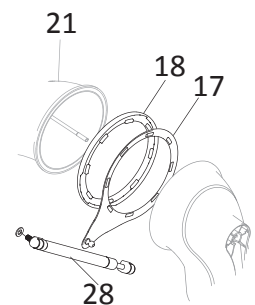
MTI



MET/V 2100-100
MET/V 2650-100



MEB 1650-100
MEB 1900-100



20150615