



S 200/24

Control unit 24 V

Area of use

S 200 is developed for automatic control of fan and damper motor. Delay time for evacuation of detainees gases are built into the **STG 200** accessory. If run time is desired, the accessory **STK 255** is used.

Function

S 200/24 is supplied with 230 VAC and converts the voltage to 24 VAC, which drives dampers and/ or contactors. The relay is activated by closing the circuit for the sensor terminal (7) or by a signal from an inductive sensor, for example pliers STG 200, see Fig. 1. When the relay is activated this is indicated by a diode (1).

If run time is desired, the accessory STK 255 is installed to connection J1 (4). The connection J1 is activated with the JMP jumper (3).

In the event of an overload, the fuse trips (2).

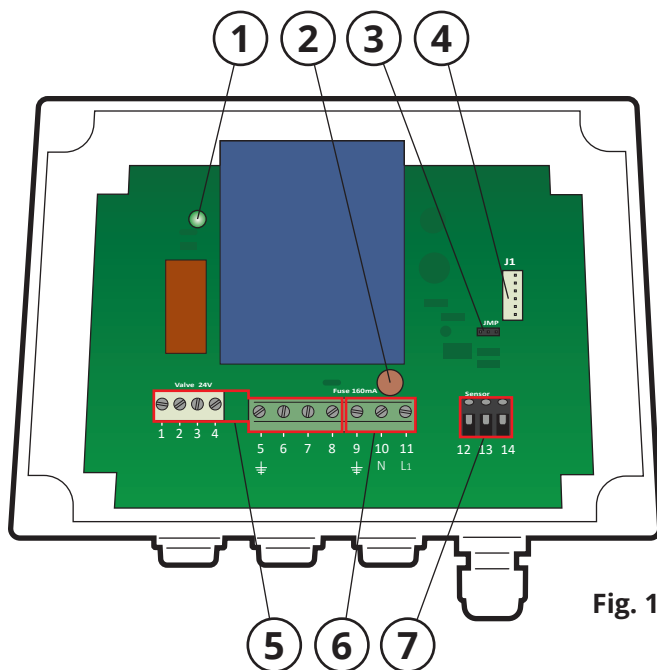


Fig. 1

Electrical installation

The supply voltage is connected to terminals 9-11 (6), see Fig. 1. The supply cable for damper and/ or contactor is connected to terminals 1-8 (5). Start signal is connected to terminals 12 and 13 (7) for switches or 12, 13 and 14 (7) for sensors.

- 1-5, 24 V~ Power max 24 VA
- 6-8, Floating VX-contact (Max 8 A)
- 9-11, 230 V 1N~ Mains connection
- 12-14, NPN 15 V For sensors and/ or switches

Technical data

Measure	179x153x78 mm
Weight	950 g
Ambient temp.....	-20 °C to +40 °C
Voltage.....	230 V 1N~
Frequency.....	50 Hz
Current	8 A
Fuse	160 mA - 370/TR5
Enclosure	IP54

Circuit diagram

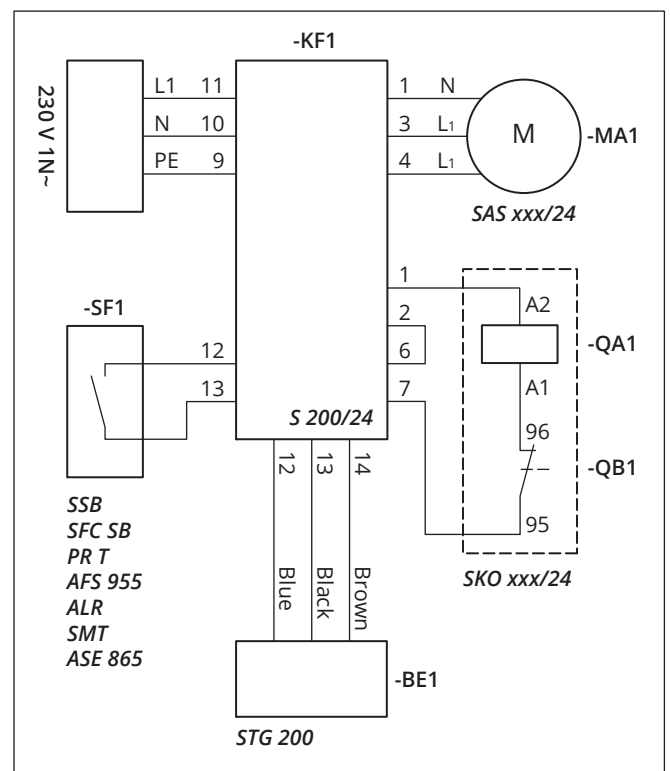


Fig. 2

Accessories

- STG 200**, Pliers sensor for automatic start/ stop. Connects to ground cable from welding machine and has a fixed run time of 15 s.
- SSB, SFC SB & PR T**, Switches for manual control.
- AFS 955**, Switch mounted on balancer.
- ALR**, Radio receiver.
- SMT**, Timer.
- STK 255**, Timer-board for run time, 1-255 min.

EXTRACTION ARMS • VEHICLE EXHAUST EXTRACTION • FANS • FILTERS • CURTAINS • CONTROLS

FUMEX

Verkstadvägen 2, 93161 Skellefteå, Sweden • Tel.: +46 910-361 80 • Fax: +46 910-130 22 • E-mail: info@fumex.se
www.fumex.com