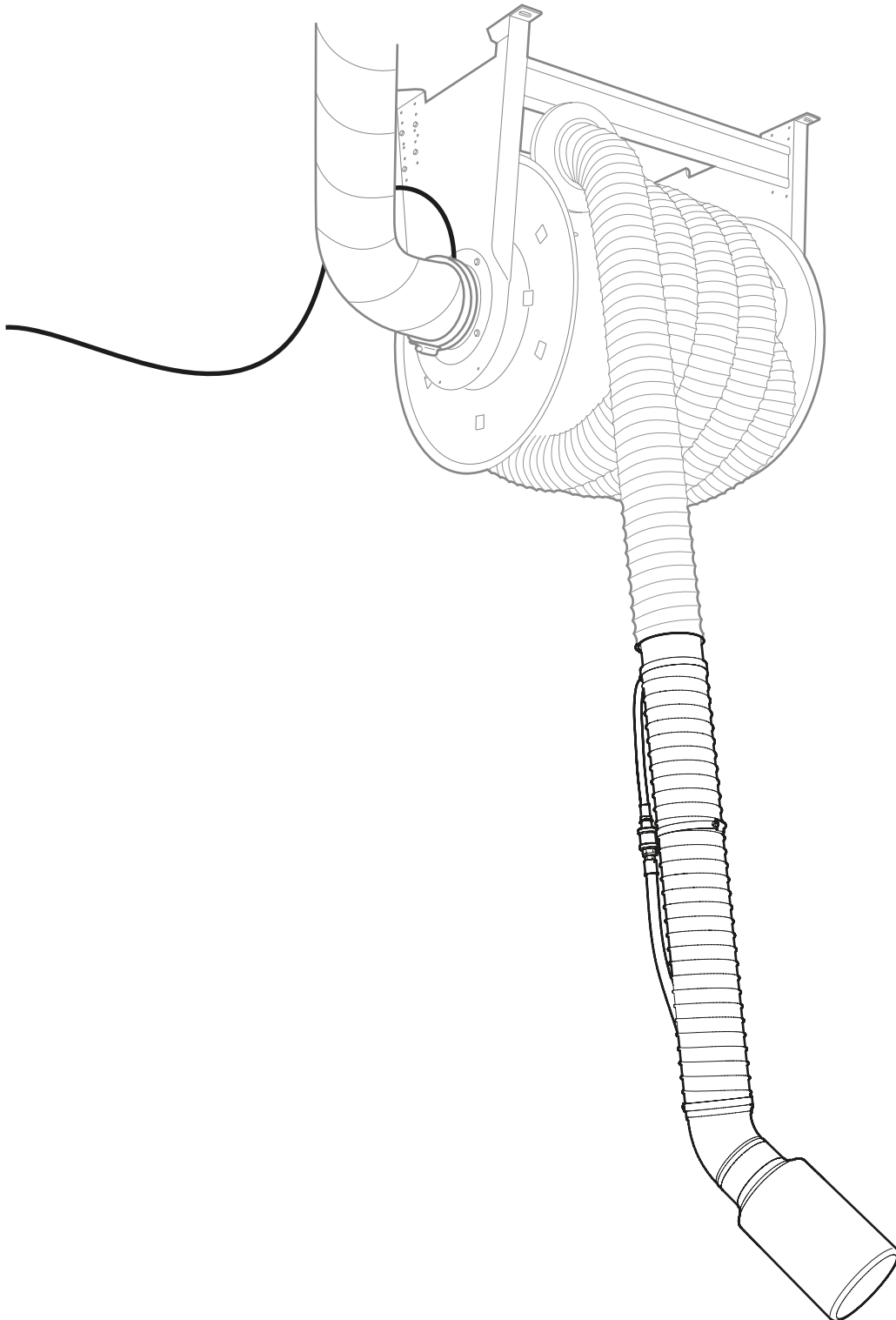
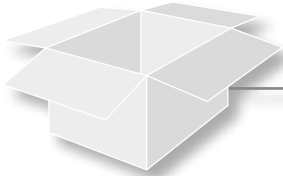
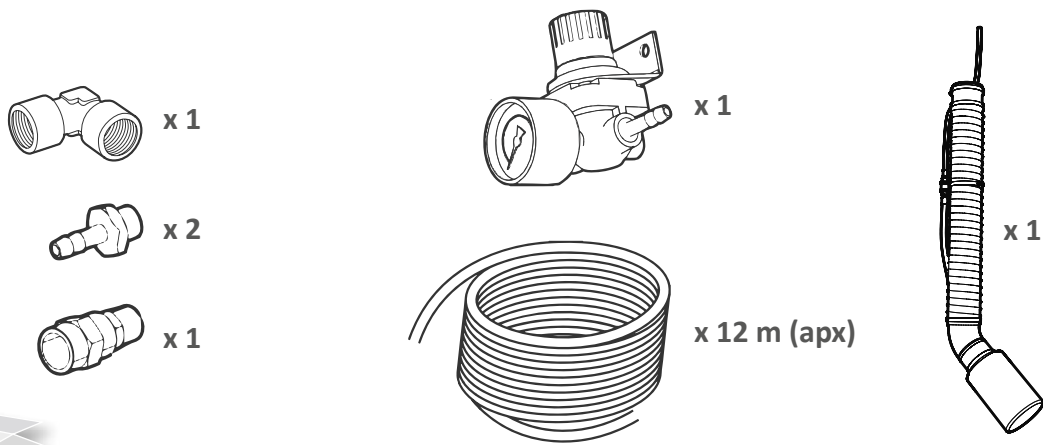


MONTERINGSANVISNING
INSTALLATION
MONTAGEANLEITUNG
INSTRUCTIONS MONTAGE
INSTRUCCIONES DE MONTAJE
ISTRUZIONI DI MONTAGGIO

FUMEX[®]

APM 810

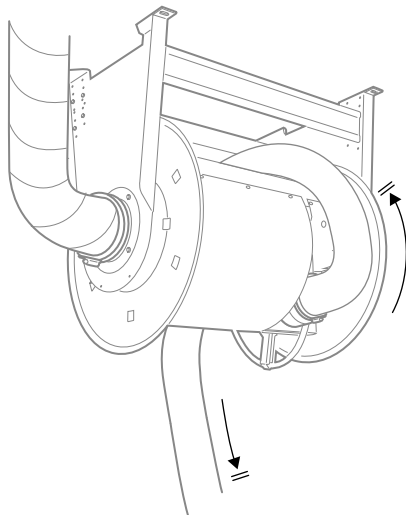




Instructions

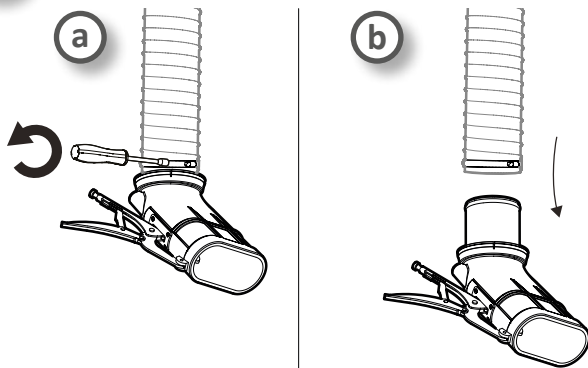
1. Pull out the extraction hose from the hose reel. Lock the hose reel once the hose is fully out.

1



2. If an exhaust nozzle is fitted to the extraction hose, detach the exhaust nozzle to free the end of the extraction hose (2a-b).

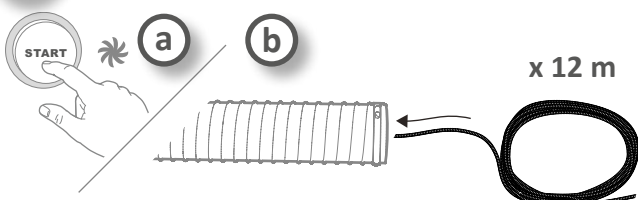
2



3. Take a piece of string that is at least 1 metre longer than the extraction hose.

Start the fan (3a) and suck the string (b) through the extraction hose until it passes the hose reel outlet.

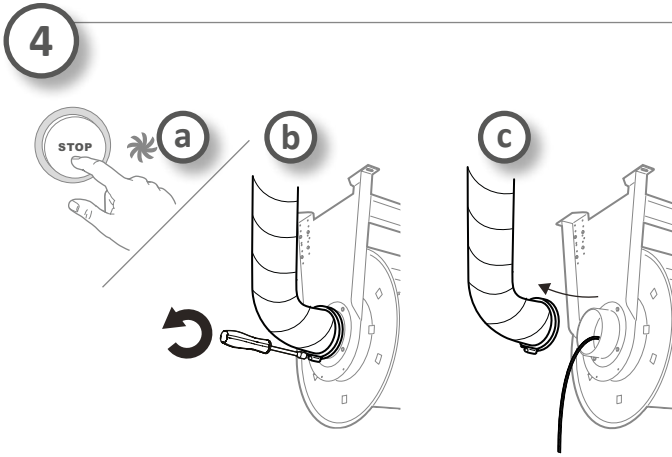
3



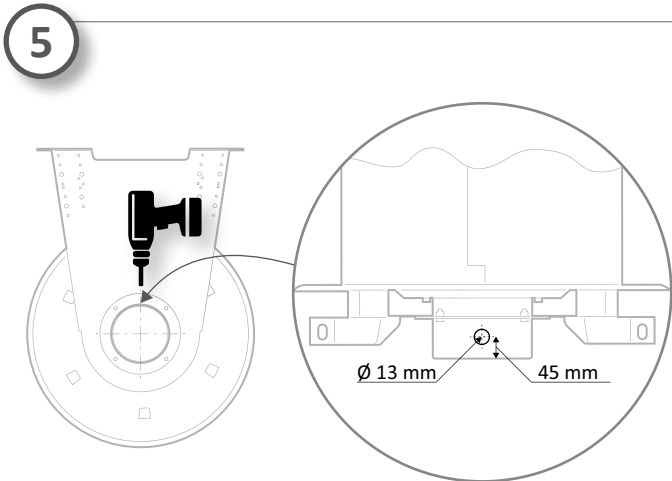
Tip

If the negative pressure is low, tie a large bow at the end of the string so that it can more easily pass through the hose.

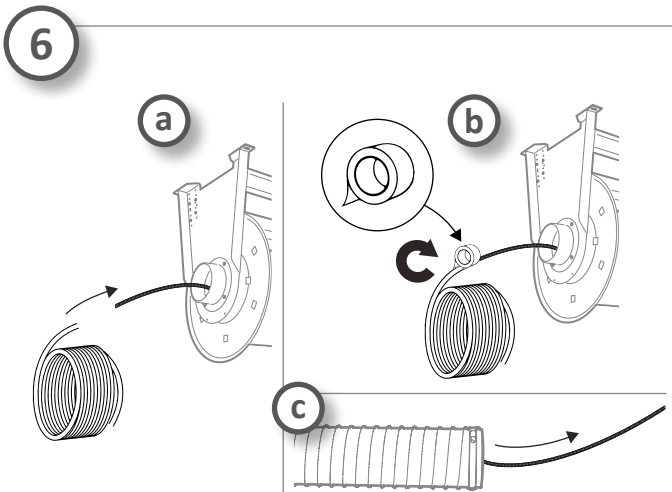




4. Stop the fan **(4a)** and detach the hose or spiro duct from the hose reel outlet **(b-c)**.



5. Drill a hole, \varnothing 13 mm, in the hose reel flange **(5)**. Remove any sharp metal shavings from the hole.

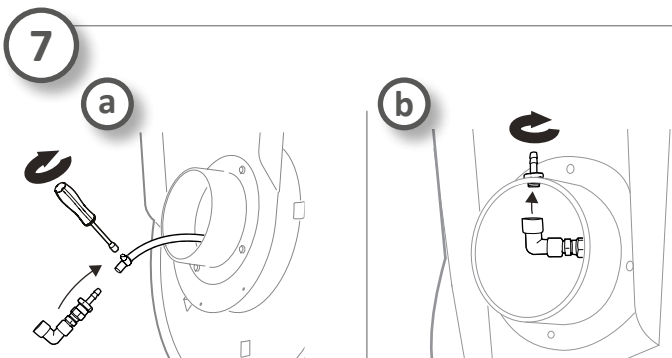


6. Fasten the compressed air hose to the string **(6a-b)**. Then use the string to pull the compressed air hose through the exhaust hose.

Tip



This is most easily done by two people. One person pulls the string while the other person feeds the compressed air hose.



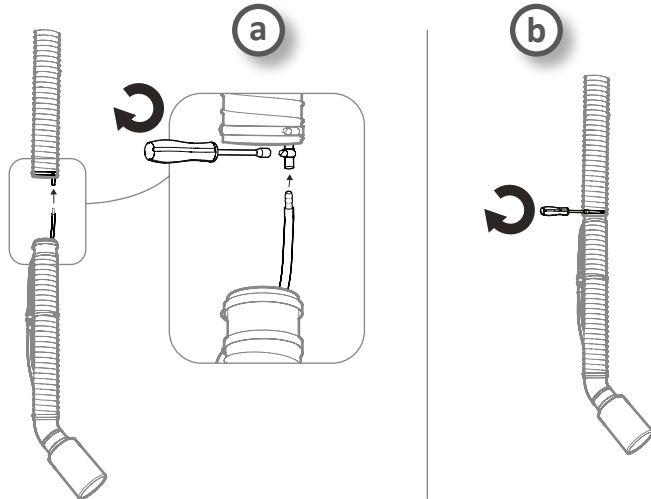
7. Attach the compressed air hose to the compressed air fitting **(7a)**. Then fit the threaded nipple with the fitting through the hole you drilled in the hose reel flange **(b)**.

Tip



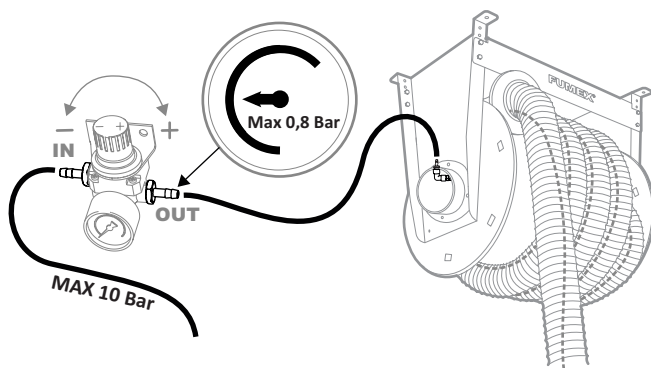
The length of the compressed air hose is most easily determined by stretching out the extraction hose and, while it is in this position, cutting and connecting the compressed air hose alongside the extraction hose.

8



8. Connect the compressed air hose in the extraction hose with the one in the exhaust nozzle **(8a)**. Attach the exhaust nozzle **(b)**.

9

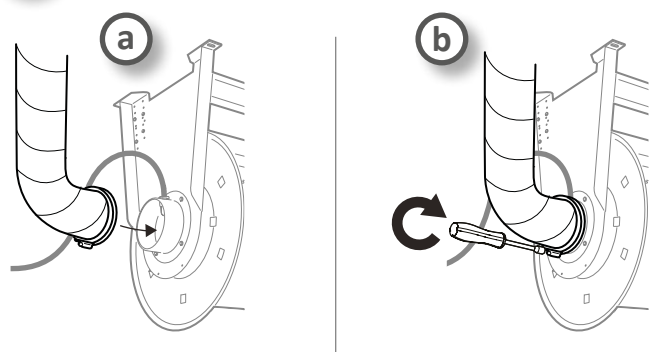


NB:

The pressure to the pneumatic nozzle must not exceed 0.8 bar.

9. Connect the compressed air hose to the compressed air regulator **(9)**. Check that the pneumatic nozzle is fully functional.

10



10. Attach the hose/spiro duct to the hose reel outlet **(10a-b)**.

FUMEX[®]