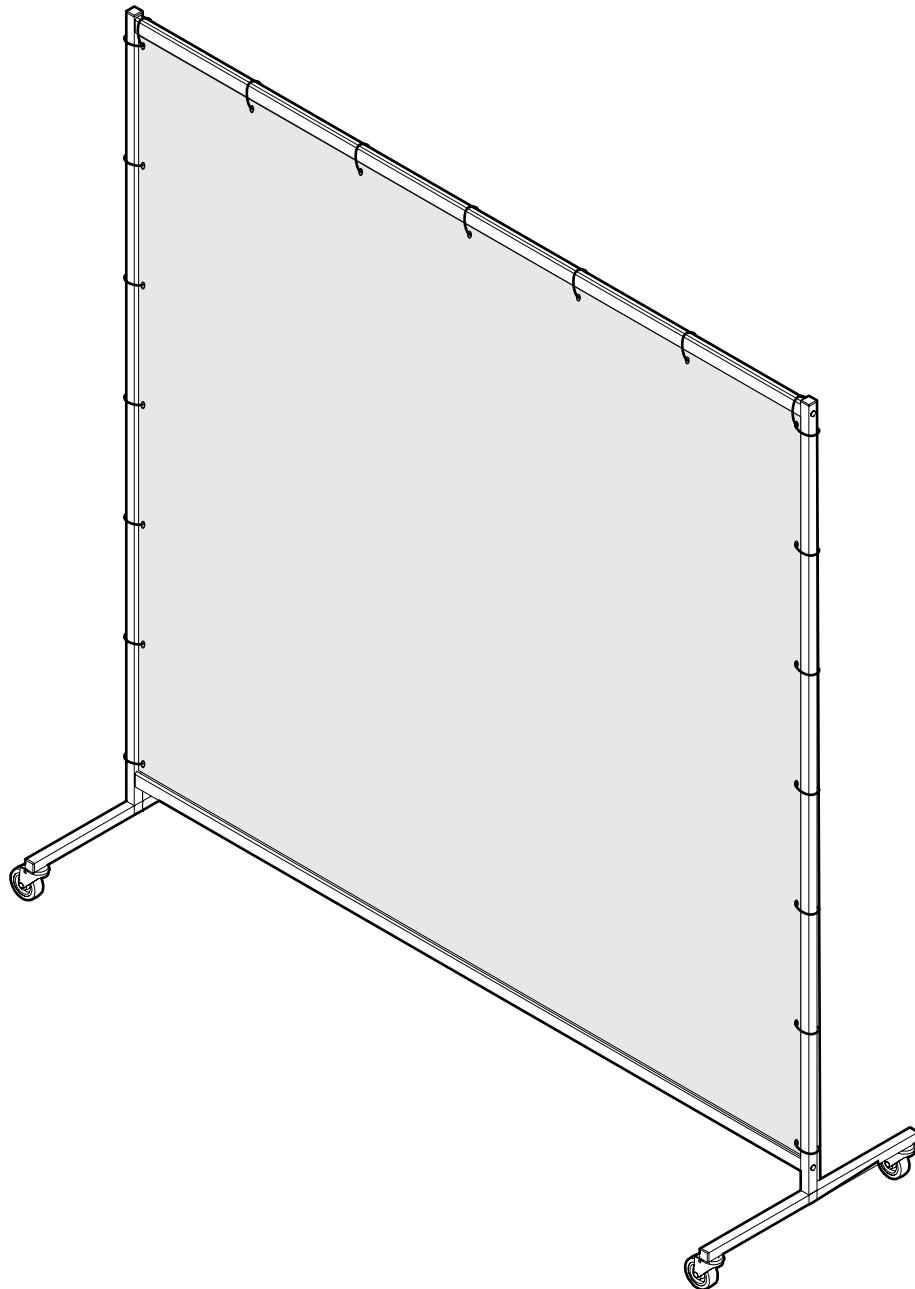
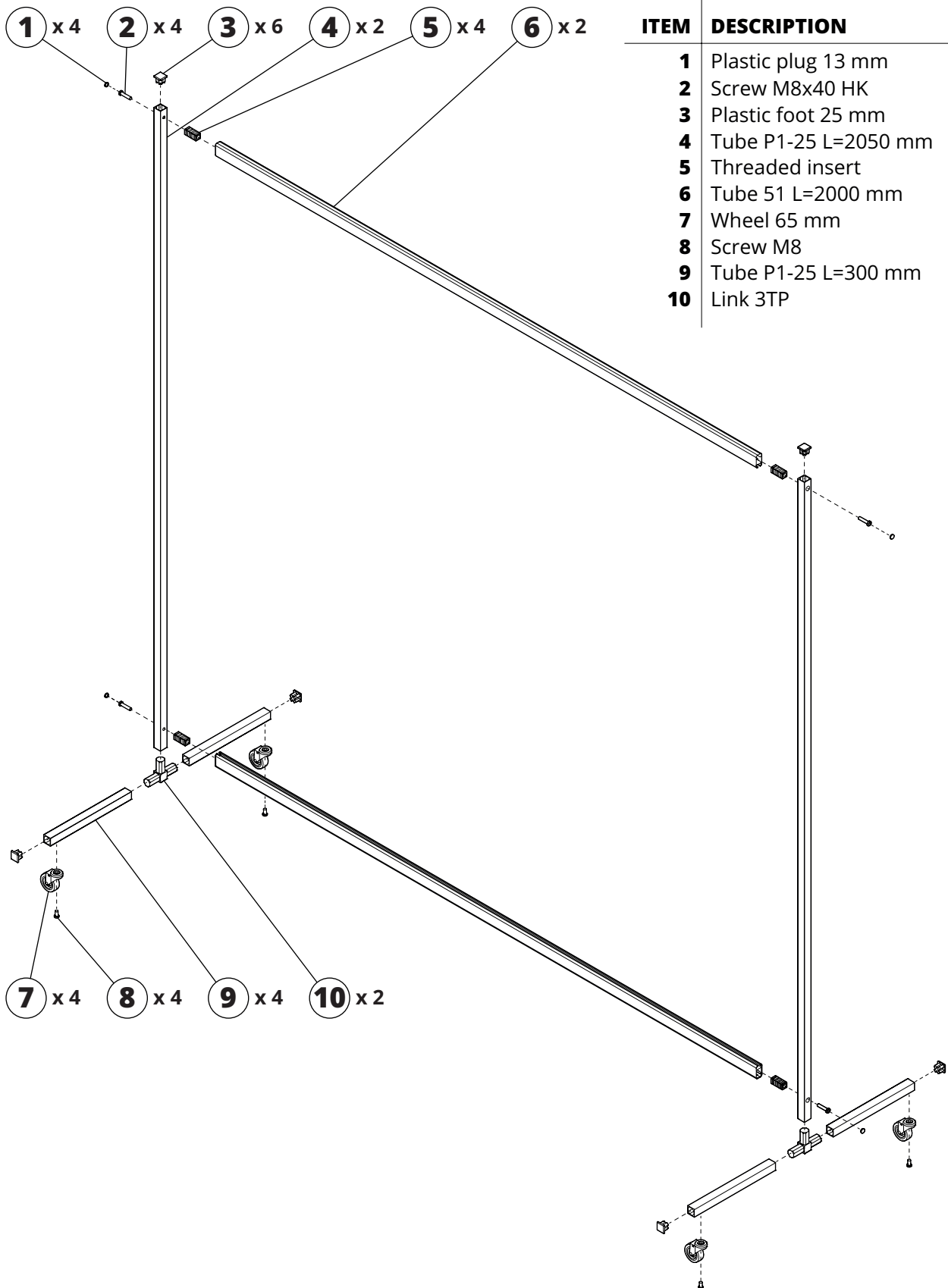




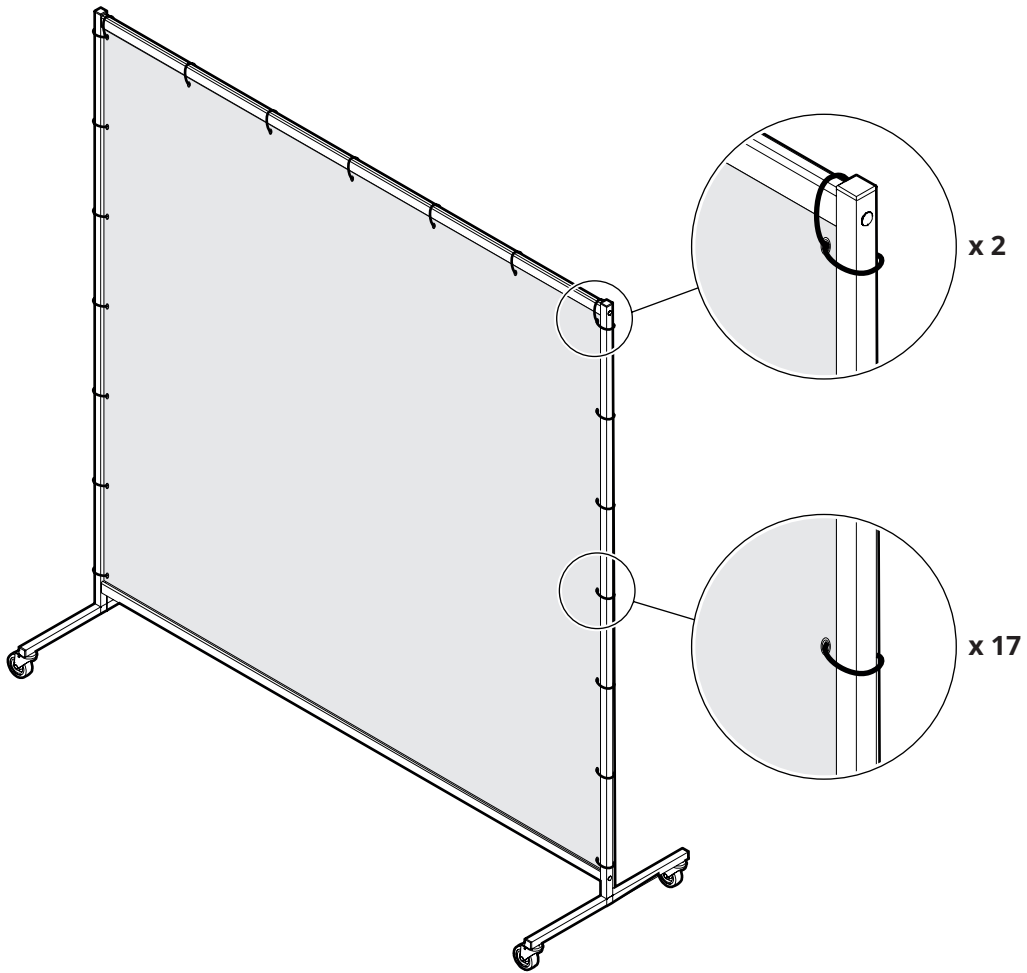
BDR 200



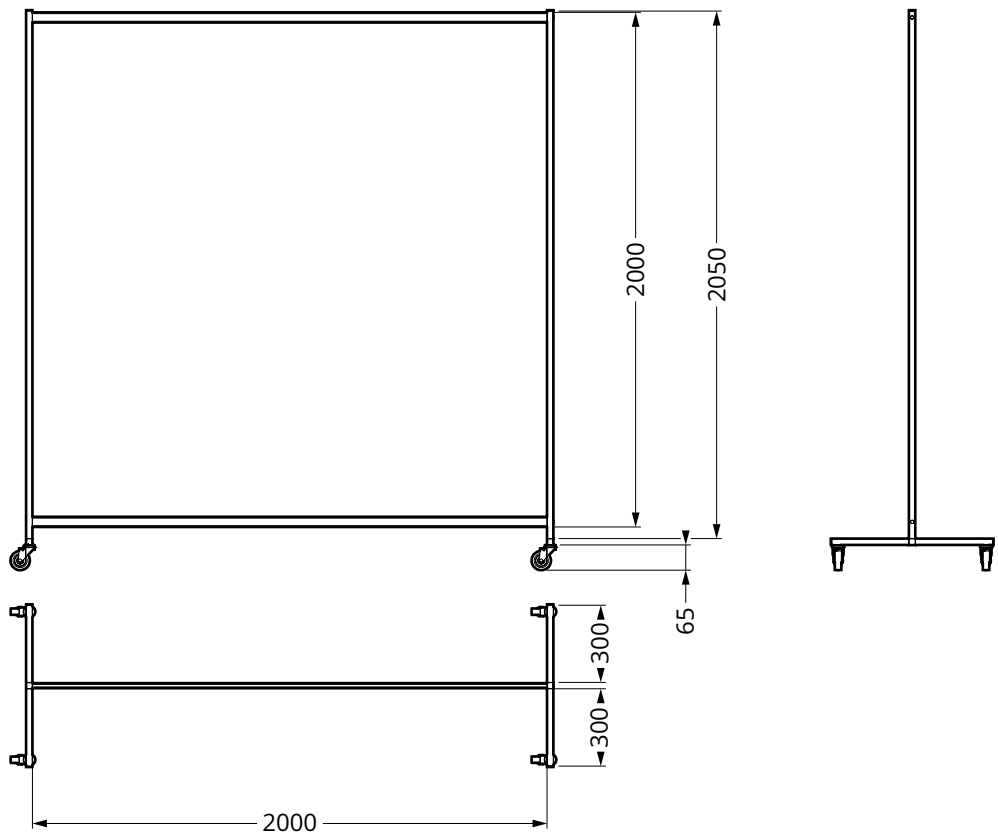
1



2



Dimension drawing



Notes

The **FUMEX** product range includes Extraction Arms • Vehicle Exhaust Extraction • Fans • Filters • Controls • Workshop Equipment

FUMEX

Verkstadsvägen 2, 931 61 Skellefteå, SWEDEN • +46 (0)910-361 80 • info@fumex.se • www.fumex.com