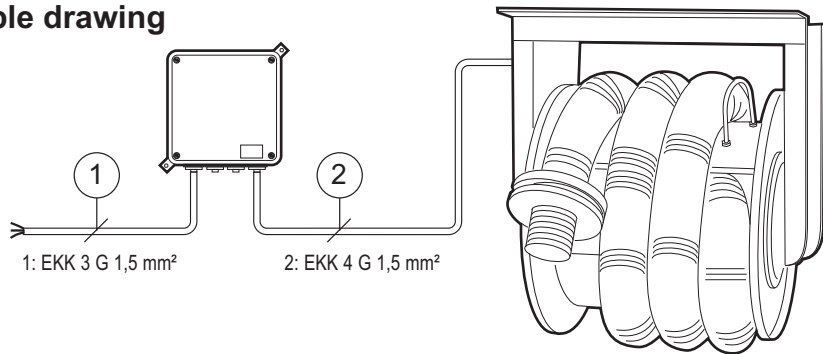


Installation

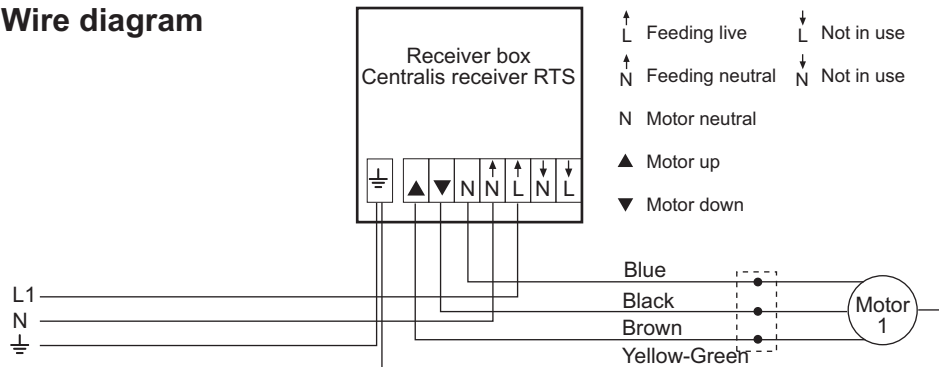
- The box shall be mounted with the cables entering and exiting from the bottom of the box.
- The box shall not be mounted in a metal casing.
- All metal objects in the vicinity of the receiver will impair the reception.
- The antenna is built-in.
- Minimum distance:

Between floor/ground and receiver	150 cm.
Between two receivers	20 cm.
Mellan sändare och mottagare	30 cm.

Cable drawing



Wire diagram



N.B.! Only one motor must be connected to the Centralis box!

Programming of transmitter and receiver.

Open the lid of the receiver box.

Receiver box:

Press the programming button, **B**, inside the receiver box approximately 2 seconds, until the indication lamp, **A**, starts to shine.
The receiver is now, during one minute, ready to receive the signals from the transmitter.

Transmitter:

Press shortly the programming button of the transmitter, **G**.
The indication lamp in the receiver box then starts to twinkle, which shows that the transmitter's signal is memorised and programmed.

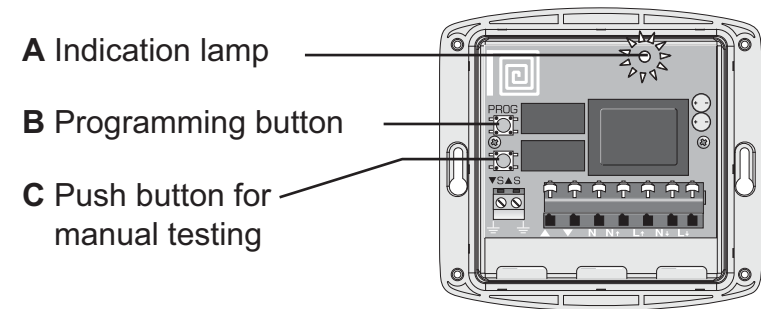
Delete programming.

Open the lid of the receiver box.

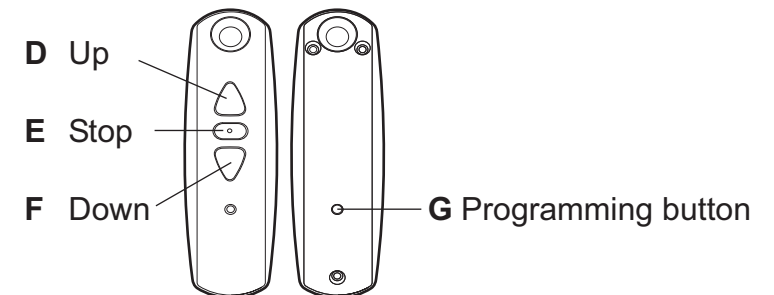
Receiver box:

Press the programming button, **B**, inside the receiver box approximately 10 seconds until the indication lamp, **A**, starts to shine.

Receiver box



Transmitter



Battery

The transmitter has a 3V lithium battery CR 2430

Change of battery:

Remove the battery lid on the back side of the transmitter.

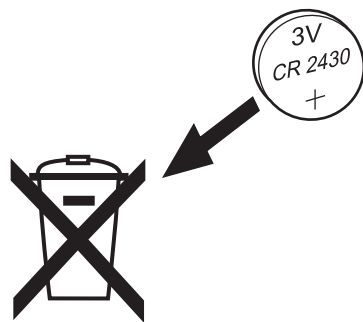
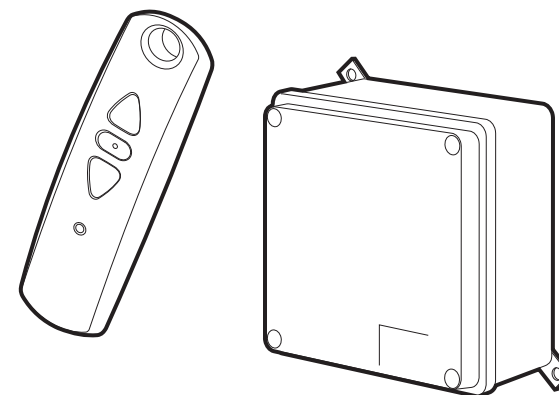
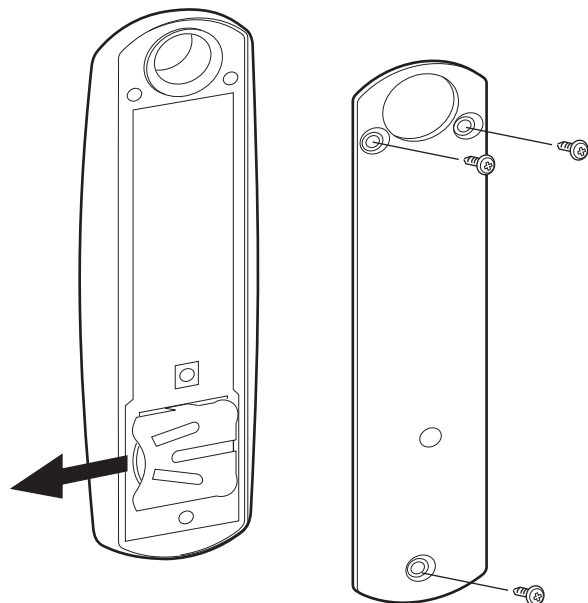
Press out the old battery using a screw driver and place a new battery.



INSTALLATION

ASEM Radio

Somfy Centralis & Telis Patio



Always leave used batteries in a recycling centre.

Verkstadsvägen 2, SE-931 61 SKELLEFTEÅ, Sweden
Skellefteå: Tel.Int. +46 910-361 80, Fax.Int. +46 910-130 22

FUMEX
PURE ADVANTAGE