



CURTAINS

Screening when welding, flushing and grinding

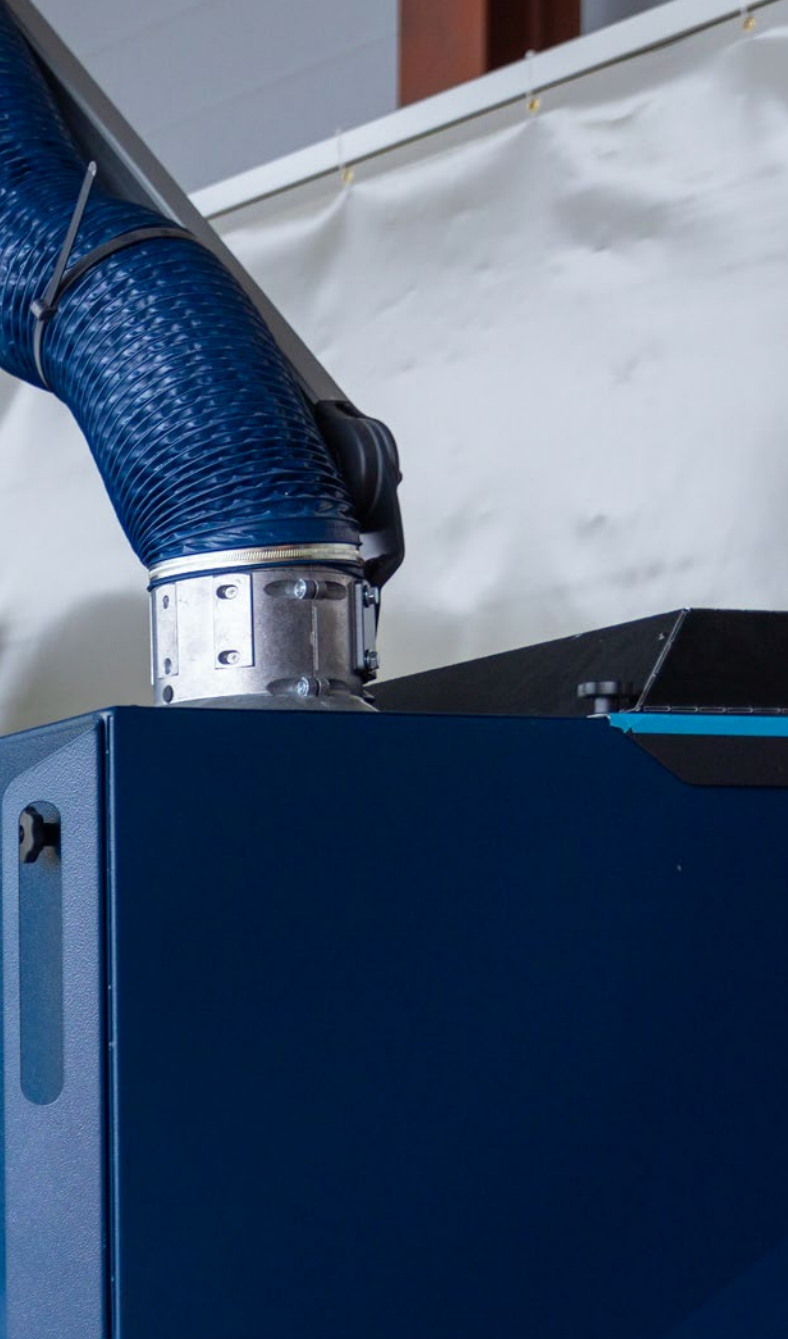


FUMEX
PURE ADVANTAGE



Durable curtains for protection, screening and soundproofing

FUMEX CURTAINS are suitable for a wide range of environments and applications, such as industrial, automotive workshops and warehouses, both indoors and outdoors. Our curtains is a flexible and cost-effective alternative to other solutions, such as fixed installations. All curtains are supplied in heavy-duty durable PVC, which together with flexible fixation options can solve most space-, environmental- and safety needs found in a workplace.



Fumex has an extensive range of curtains with a wide variety of customised screening for all working environments.

Colour and print options

In addition to the above, all FUMEX CURTAINS can be profiled to suit your company with colours of your choosing, transparent or clear material.

In addition, there is the option of custom printing, which contributes to a pleasant, professional working environment and increased visibility of your company's marketing.

*"Manual. Motorised.
Fixed. Mobile."*



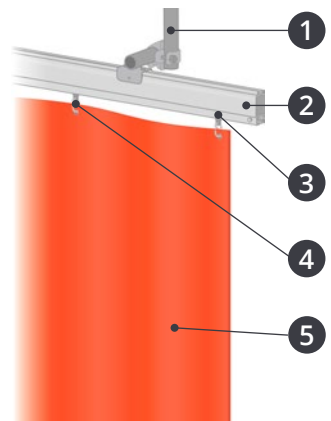
Welding and washing curtains

FUMEX welding and washing curtains are made of durable PVC and provide effective protection against dust, splash, welding- and UV light. The curtains are an excellent option for privacy and weather protection or for screening and customising premises.

Systems with integrated profile rails and heavily dimensioned components ensure that the curtains can withstand harsh environments over a long period of time. Flexible ceiling- and wall brackets make the installation simple and easy to adapt to your needs.

Our washing curtains have a weight at the bottom for added stability.

FUMEX welding and washing curtains are supplied with galvanised steel rails as standard. For extra stability, aluminium rail systems are available as an option. The curtains are made to measure according to the customer's requirements, with the option of curves via 90° curve rails. For more information, see pages 11-12.



- 1 Flexible and stable brackets
- 2 Stable profile rail
- 3 Ball bearing trolleys
- 4 Reinforced fabric suspension
- 5 Durable PVC canvas



Motorised curtains

Motorised curtains are a modern and practical solution for workshops and welding shops. They contribute to flexible working areas and do not disturb the workplace when fully rolled-up.

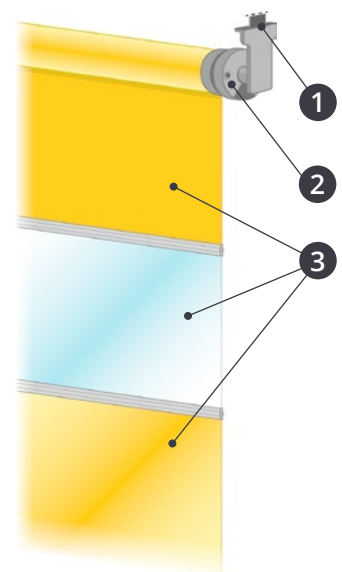
The curtains screen off workplaces where you want to protect surrounding activities or objects, and can be mounted on both walls and ceilings.

There are three solutions available for controlling the FUMEX motorised curtains:

- Fixed switch
- Hanging switch
- Radio control

Technical data

Voltage: 230 V 1N~	Enclosure class: IP 44
Rated current: 1,1 A	Torque: 15 Nm
Power: 240 W	Speed: 32 rpm
Frequency: 50 Hz	



- 1 Combination bracket ceiling/wall
- 2 Powerful tube motor
- 3 Durable PVC canvas



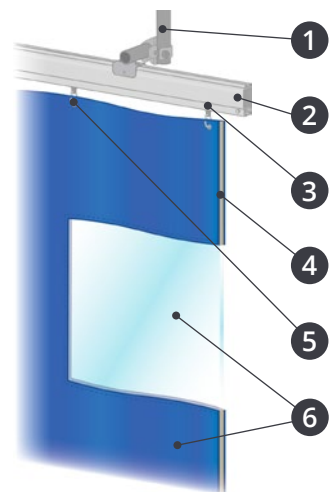
Acoustic curtains

FUMEX acoustic curtains are specially designed to reduce loud, disturbing sounds. The curtains provide effective screening around machinery but are also often used for screening in large spaces.

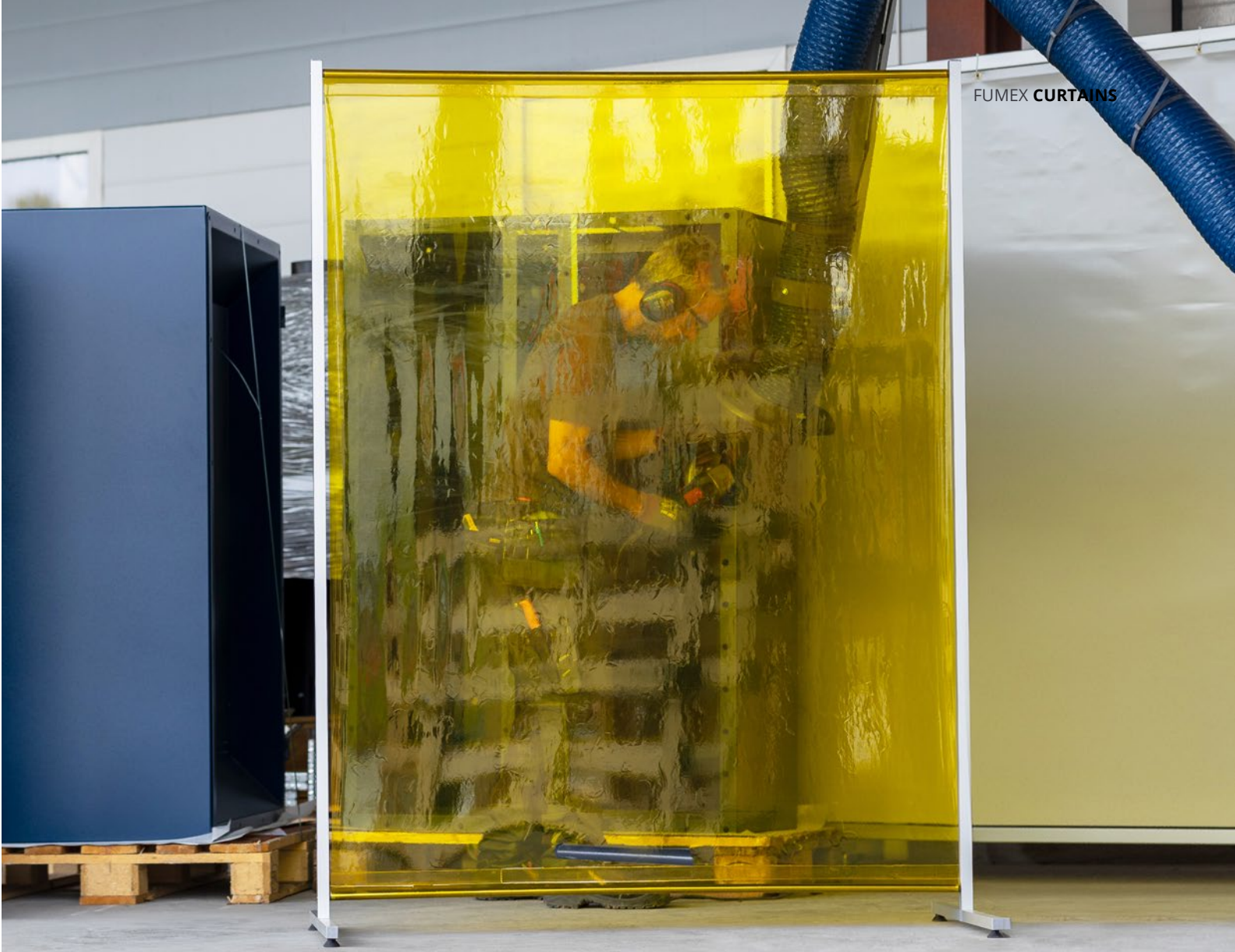
The acoustic curtains are made of double PVC cloths with inserts of sound-absorbing material.

A system with integrated profile rails and heavily dimensioned components ensure that the curtains can withstand harsh environments over a long period of time. Flexible ceiling- and wall brackets make the installation simple and easy to adapt to your needs.

FUMEX acoustic curtains are supplied with galvanised steel rail systems as standard. For extra stability, aluminium rail systems are available as an option. The curtains are made to measure according to the customer's requirements, with the option of curves via 90° curve rails. For more information, see pages 11-12.



- 1 Flexible and stable brackets
- 2 Stable profile rail
- 3 Ball bearing trolleys
- 4 Sound absorbing materials
- 5 Reinforced fabric suspension
- 6 Double PVC cloths



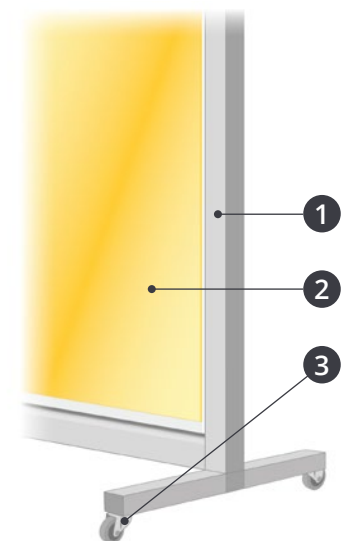
Mobile curtain screens

FUMEX mobile curtain screens have many applications. They are both lightweight and stable, which make them easy to move depending on the different situations the work requires.

The construction of the mobile curtain screen consists of an aluminium frame, either on a base or with lockable pivoting wheels. This makes the screen very stable and flexible.

Our mobile curtain screens are available in two variants:

- **BDR 100** - Curtain screen on a base.
Dimensions (B x H): 1420x1895 mm.
- **BDR 200** - Curtain screen with lockable pivoting wheels.
Dimensions (B x H): 2000x2115 mm.



- 1 Stable aluminium frame
- 2 Durable PVC canvas
- 3 Lockable pivoting wheels (BDR 200)

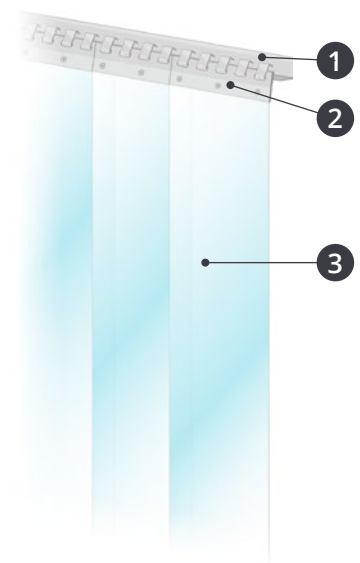


PVC curtain

FUMEX PVC curtain consists of clear PVC strips that can be ordered in different widths and thicknesses to suit the working environment it is intended for.

PVC Curtain is used as a barrier, a partition between warm and cold areas, or protection against dirt and dust. Two major advantages are that it allows light to pass through and has a noise dampening effect.

FUMEX PVC curtain is installed in the width the customer requires on a heavy duty hanging profile and is a cost-effective alternative to, for example, standard doors that require expensive installation, maintenance and repair.



- 1 Heavy-duty hanging profile
- 2 Flexible positioning of strips
- 3 Transparent PVC

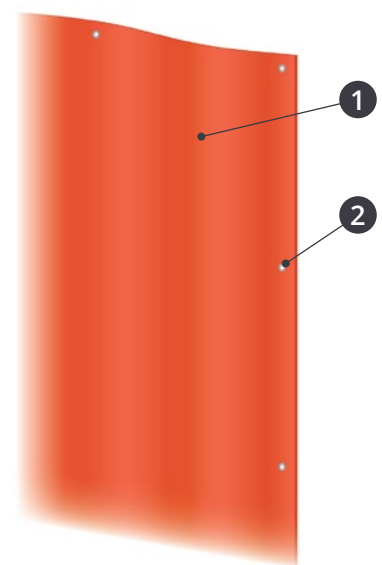


Screening curtains

FUMEX screen curtains are a quick, easy and relatively inexpensive solution to protect against weather or to use as privacy screen. They are, for example, suitable for protection of material and pallet racks outdoors. There are also many applications for indoor use, for example in the screening of large halls.

Screening curtains are supplied in durable PVC canvas with reinforced fabric suspension in the desired size (width/height).

Canvas tensioners are available as an accessory to easily tension the curtain and, for example, minimise risks during harsh weather conditions.



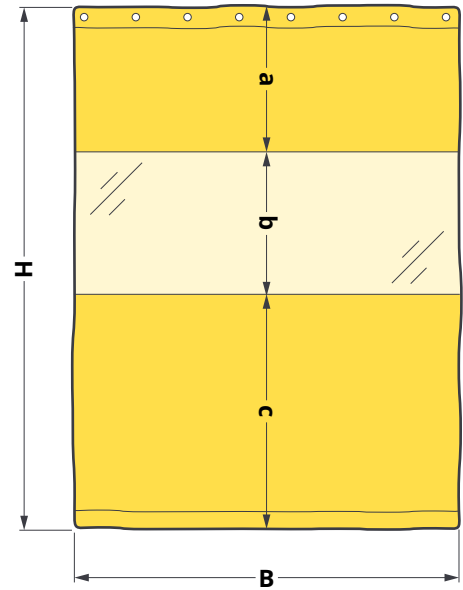
- 1 Heavy-duty PVC canvas
- 2 Reinforced canvas suspension

Technical information

The curtain canvas is supplied as standard with reinforced holes, c/c 250 mm at the top edge. When ordering, always state dimensions, material, colour, finish, vision frames, etc.

Eylet distance: 250 mm C/C
 Size: Customized according to your needs
 Suspension: Profile system or motor
 Printing: Specify size/location and send high resolution print (jpg/eps/pdf).

B: Width incl. folding (10%)
H: Total height
a, b och c: Dimensions specified when vision frames or different colours of the curtain are required.



Curtain canvas

Application

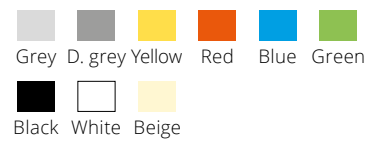
- Dust
- Splashes
- Cold
- Wind
- Privacy
- Sparks
- Welding torch

Characteristics

- Flexible
- Flame retardant according to DIN 4102
- Many different colours
- Combine colours
- Approved according to EN 1598
- Weight approximately 620 g/m²

Material and colour

Opaque PVC



- Dust
- Splashes
- Cold
- Wind
- Privacy with or without transparency
- Sparks
- Welding torch
- UV radiation

- Stops all UV radiation*
- Flexible
- Flame retardant (DIN 4102)
- Combine colours/vision frames
- Approved according to EN 1598
- Weight less than 600 g/m²

* Applies to all colours except "Clear".

Transparent PVC



- Strong cold
- Outdoor weather and wind

- Flexible in cold weather

Heavy duty canvas (-30°C)



Can't find the canvas you need?

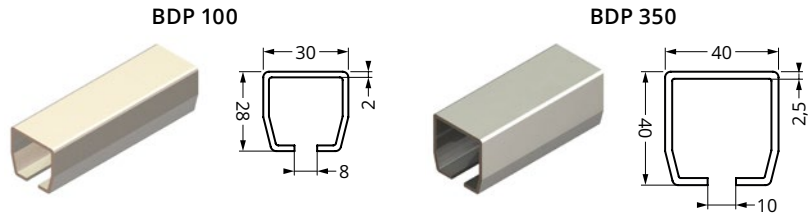
Curtains and canvases for other areas of use can be supplied on request.

Rail system BDP

Rail system in galvanised steel.
BDP 100 is supplied as standard.
BDP 350 is for heavier applications.

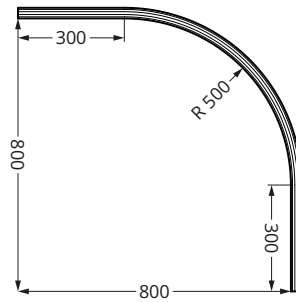
Profile rail BDP

BDP 100
BDP 350



Curve rail BDK (90 °)

BDK 100 for profile rail BDP 100
BDK 350 for profile rail BDP 350



Wall bracket BDV

BDV 100 for profile rail BDP 100
BDV 350 for profile rail BDP 350

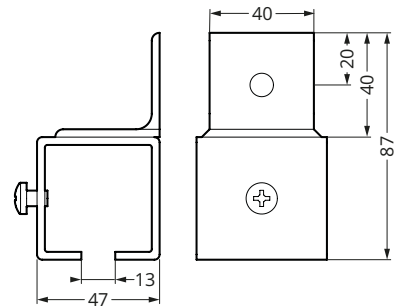
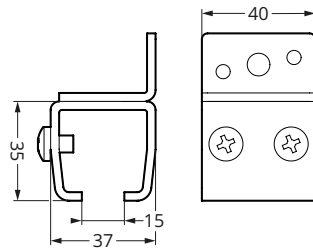
BDV 100

BDV 350



BDV 100

BDV 350



Ceiling bracket BDT

BDT 100 for profile rail BDP 100
BDT 350 for profile rail BDP 350

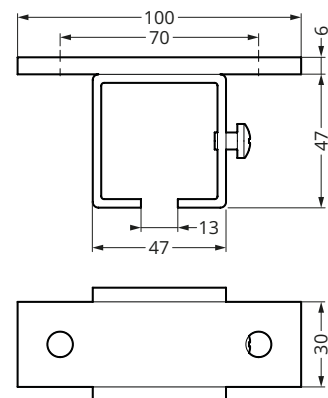
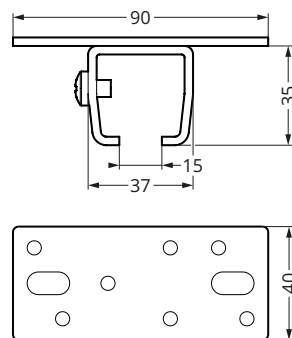
BDT 100

BDT 350



BDT 100

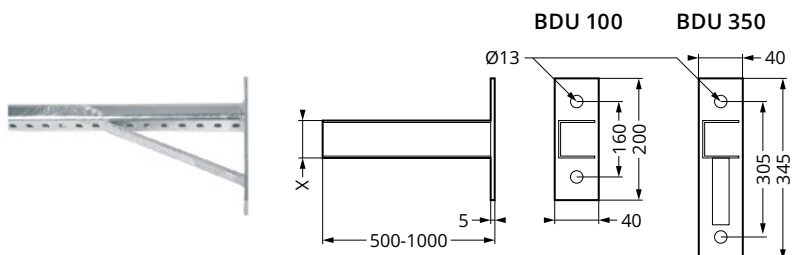
BDT 350



Universal bracket BDU

Bracket for wall- or ceiling mounting.
Cut to size, if required.

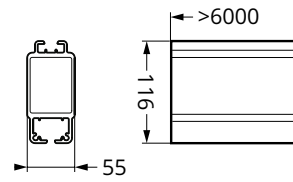
BDU 500 for profile rail BDP 100/350
BDU 1000 for profile rail BDP 100/350



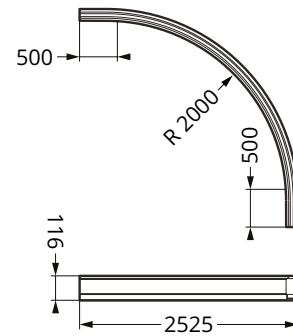
Rail system AFS

Rail system in anodised aluminium.

Running rail **AFS 300**



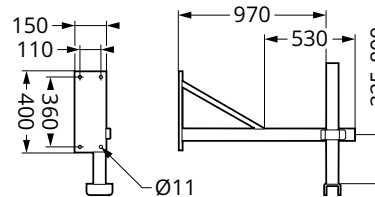
Curve rail **AFS 302 (90 °)**



Wall bracket **AFS 210**

Powder coated steel with cast coupling.
Adjustable length: 530-970 mm.

Weight: 12,3 kg.



Ceiling bracket **AFS**

Powder coated steel with cast coupling.
Adjustable length: 140-2000 mm.

Model: AFS 200 AFS 205
Length: 1000 mm 2000 mm
Weight: 7,6 kg 10,0 kg

