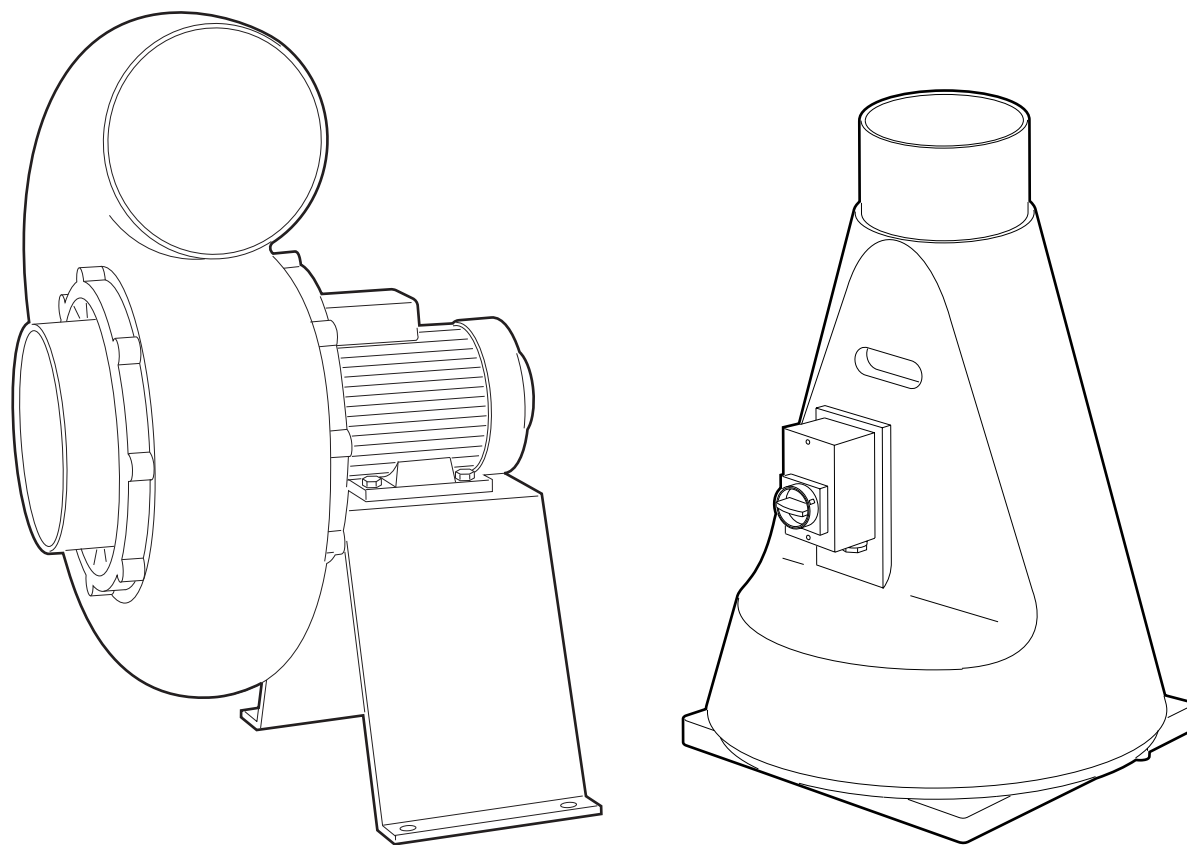




P/PS/JET



5.5 Permitted applications



Any possible solid particles or other pollutions must be filtered before they enter the fan. The temperature of the conveyed medium may not exceed 60 °C.

5.6 Sound level

The sound pressure level is not the same over the fans whole range. In some cases it is necessary to use a silencer. We recommend the user to check the sound pressure level.

6 Installation

6.1 Transport

Check all parts for damage during transportation and that the impeller runs free inside the housing. The fans are to be installed in weather-protected places and are not to be stored outdoors unprotected. Mount hoisting hook carefully, and do only use lifting arrangements with sufficient strength.

6.2 Arrangements and assembling



The fan must never be installed with the motor facing downwards.

Mount the fan horizontally or vertically in a weather-protected place. Make sure that the fan is protected from vibration and shock. Supply open inlet and discharge openings with guards according to valid regulations. Also make sure that the drive motor is supplied with sufficient ventilation. The permitted maximum temperature of surroundings is 55 °C.

6.3 Electrical connection



The operations described in this part are to be made by skilled labour only. Connect the fan in accordance with the **Wiring diagram** (page 4) in the terminal box. The respective VDE regulations and the directions of the local power supply company are to be complied with.

The fan is equipped with a drive motor for single- or three-phase AC. The motor should be protected with an overload switch. Connection to earth is to be found in the terminal box. See last page for connection drawing.

6.4 Inspection of rotation direction

Start up the fan for a short moment, inspect the rotation direction. The rotation direction of the impeller must be in accordance with the arrow on the motor. If not, move

the L1 and L3 phases for three-phase operation or check the wiring circuit in the terminal box for single-phase operation. Incorrect rotation direction will cause reduced capacity of the fan and could damage the impeller.

7 Start of operation

If the rated current indicated on the rating plate is being exceeded during operation, it should be checked whether the available supply voltage and frequency are in accordance with the embossed data.

Installation of thermal protection is recommended preventing overheating. Overloading can be avoided through installation of relief valve which will keep the maximum allowed working point. Do not expose the fan to vibrations and shock.

8 Maintenance

Fans are equipped with enclosed grooved ball bearings that do not need lubrication. The grease filling is sufficient for the whole service life of the bearings.



Repair work on fans should be done by the manufacturer. We do not take any responsibility for repairs done by third parties.

9 Spare parts list

When ordering spare parts, please state the size of the fan and part number in accordance with **Exploded view/Spare parts** (page 6 & 7).

10 Manufacturer Declaration

We certify that the product to which this certificate relates is in conformity with the standards or standard setting documents listed below. If a modification of the unit is made without our approval, this declaration becomes invalid



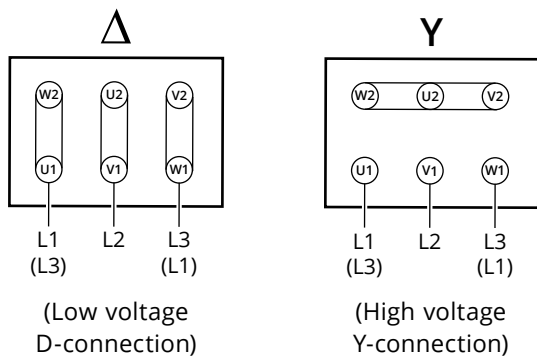
Relevant regulations and standards to which this product corresponds:

- Machinery directive 2006/42/EG
- EMC-Directive 2014/30/EU
- EN ISO 12100:2010
- EN 60204-1

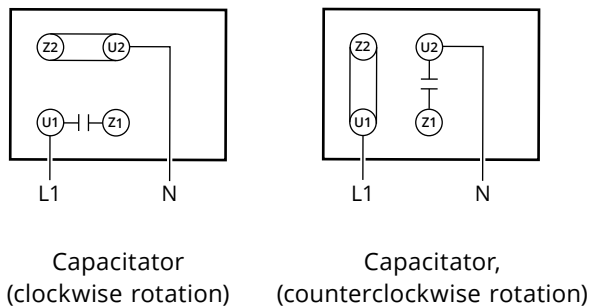
Starting operation of this machinert part is not allowed as long as it is not assembled into the main installation respectively not all necessary safety devices have been installed which fulfil the requirements of the EC directive for machines with regard to safety and health.

Wiring diagram

Three-phase AC unit:



Single-phase AC unit:



Versions

The fan is available as standard in the following versions (inlet side view):

P*



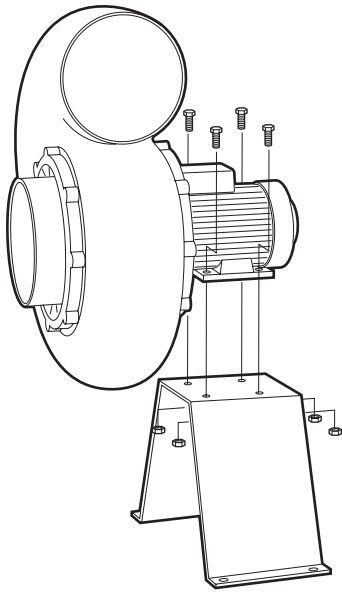
PS



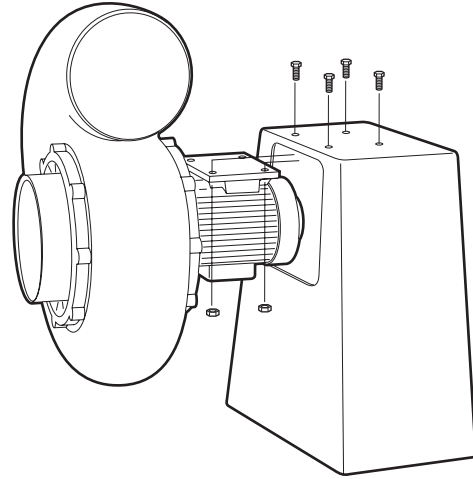
■ Standardised form of delivery.

* Series P 15/20/25/30/35 can be delivered in reverse design (RD).

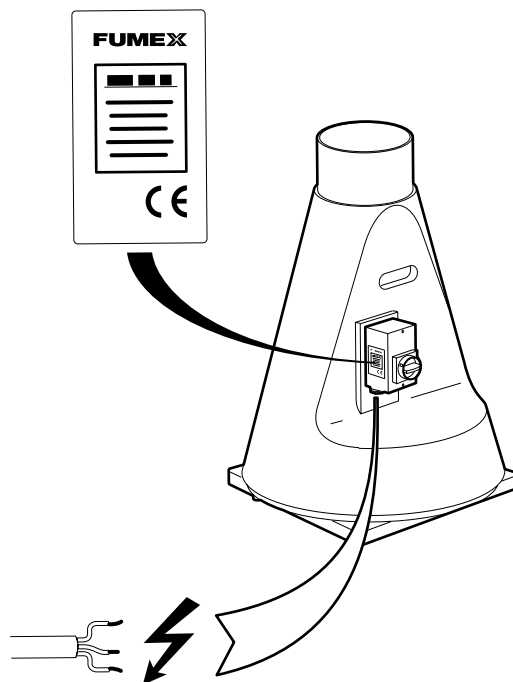
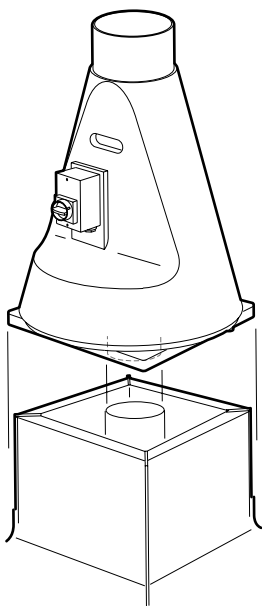
Mounting
P/PS



PRS

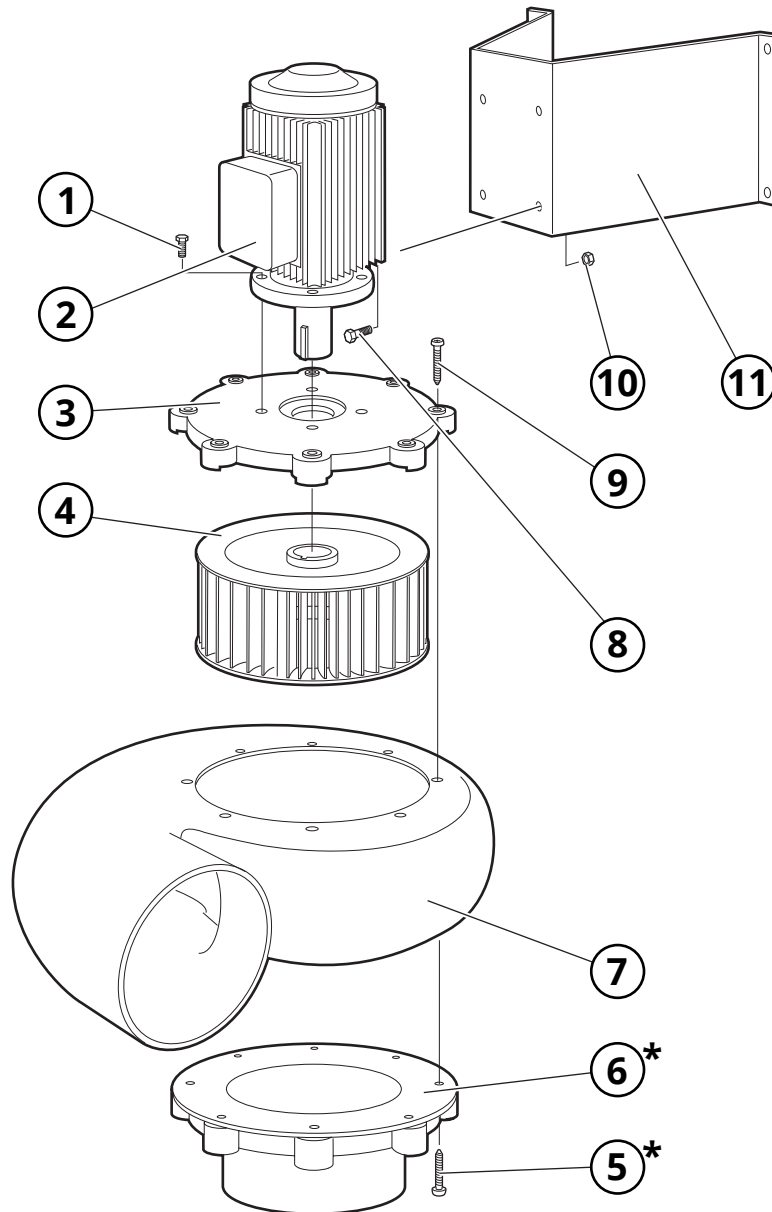


JET



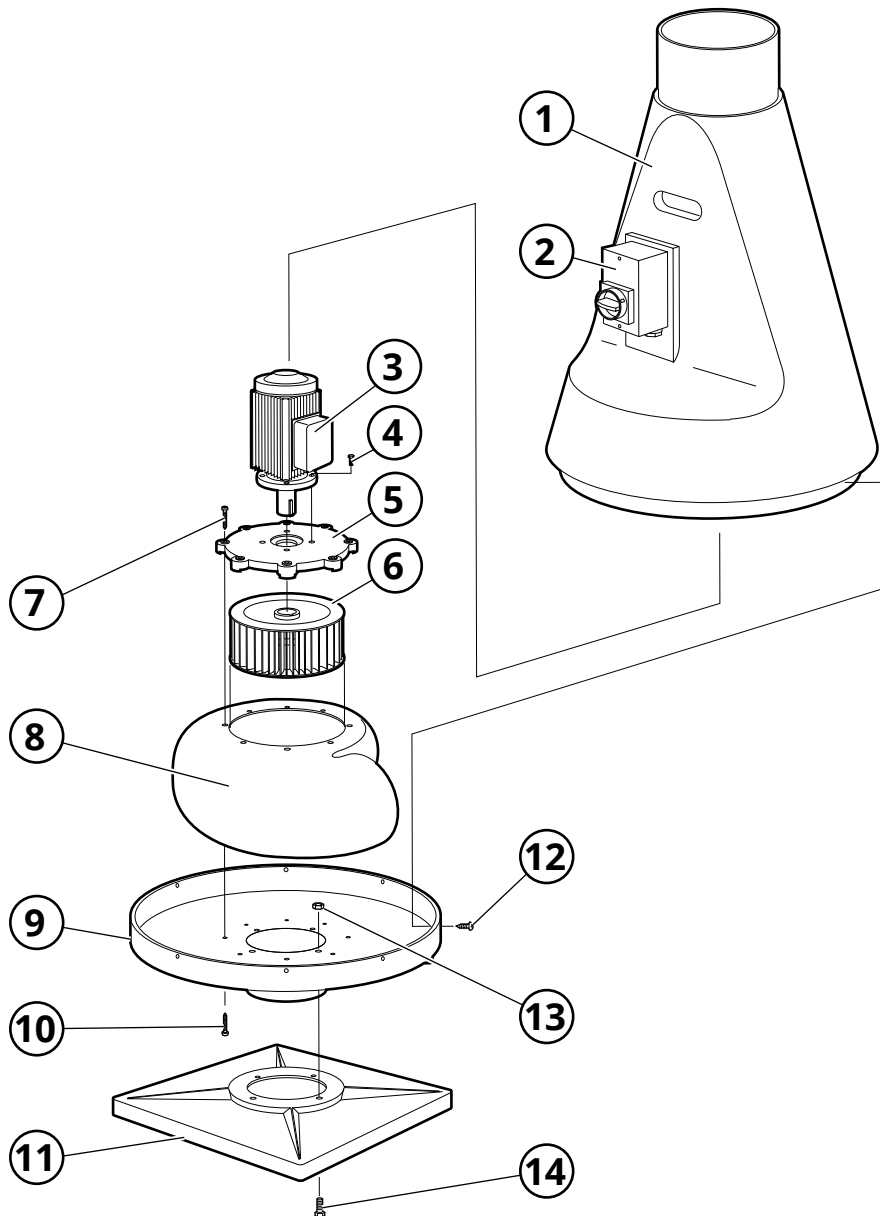
Exploded view/Spare parts

P/PS



* Only applies to Fan P

JET



EXTRACTION ARMS • VEHICLE EXHAUST EXTRACTION • FANS • FILTERS • CURTAINS • CONTROLS

FUMEX

G:a Burträskvägen 48, 931 92 Skellefteå, Sweden • Tel.: +46 910-361 80 • Fax: +46 910-130 22 • E-mail: info@fumex.se
www.fumex.com