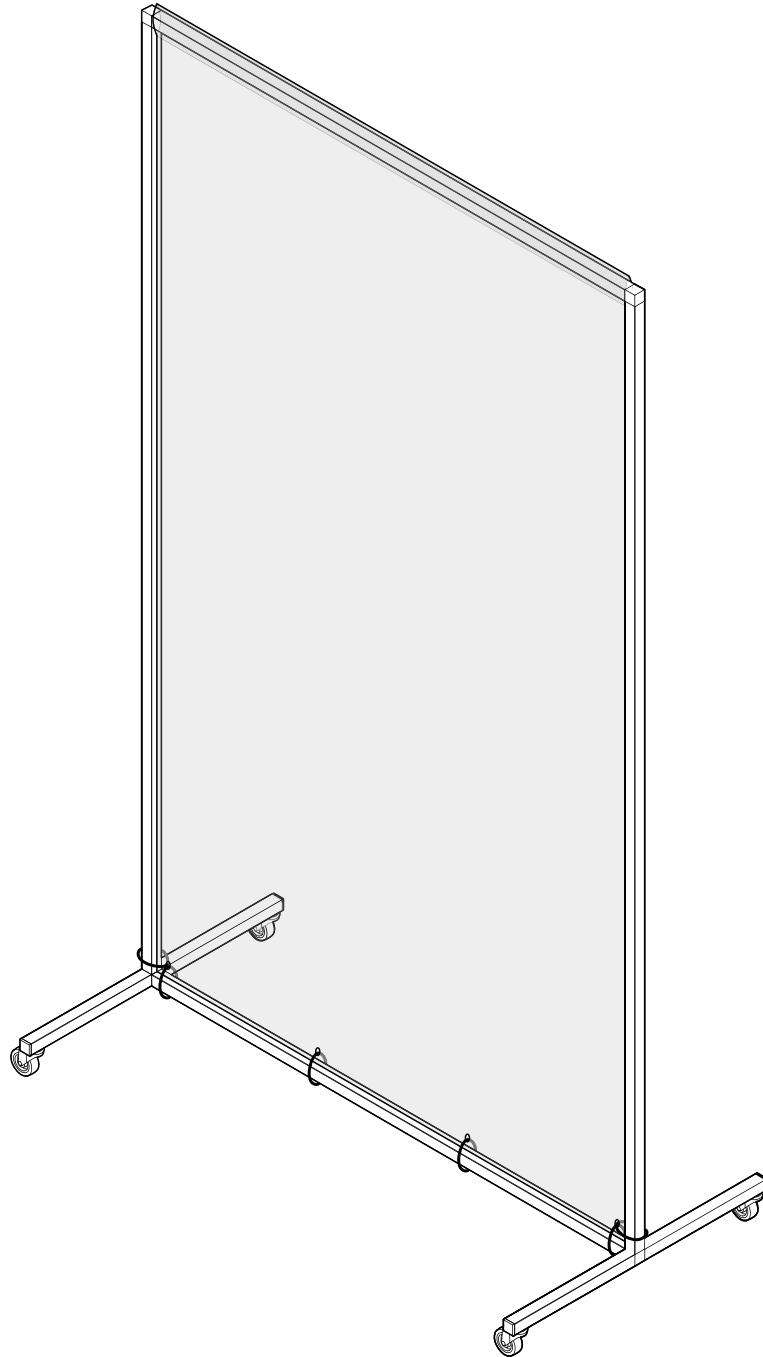


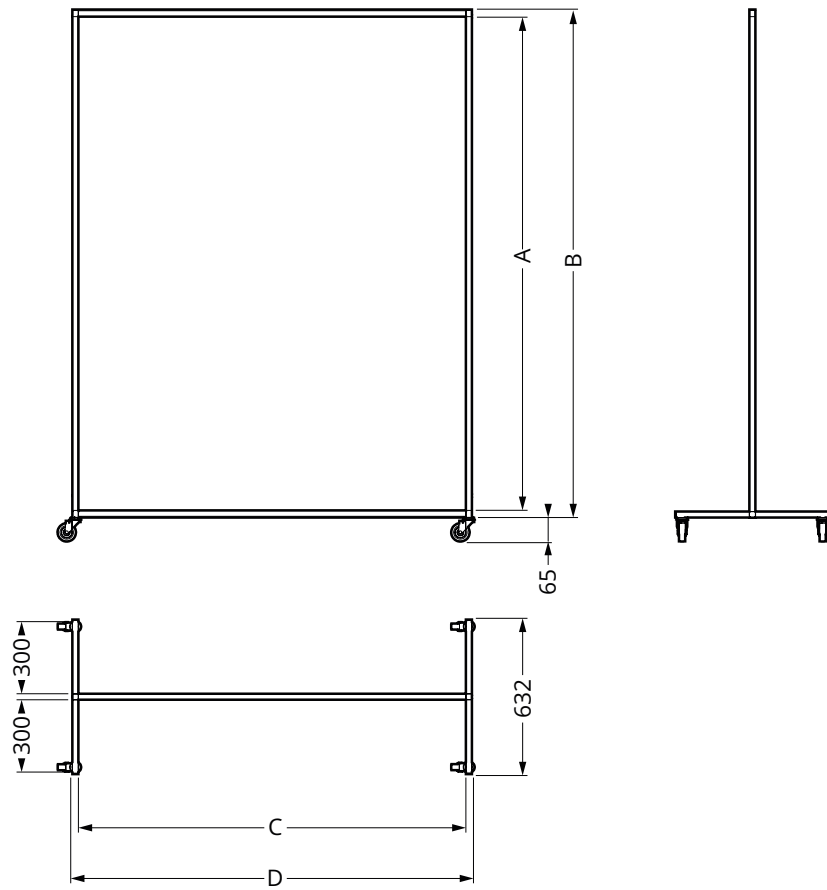


BDR

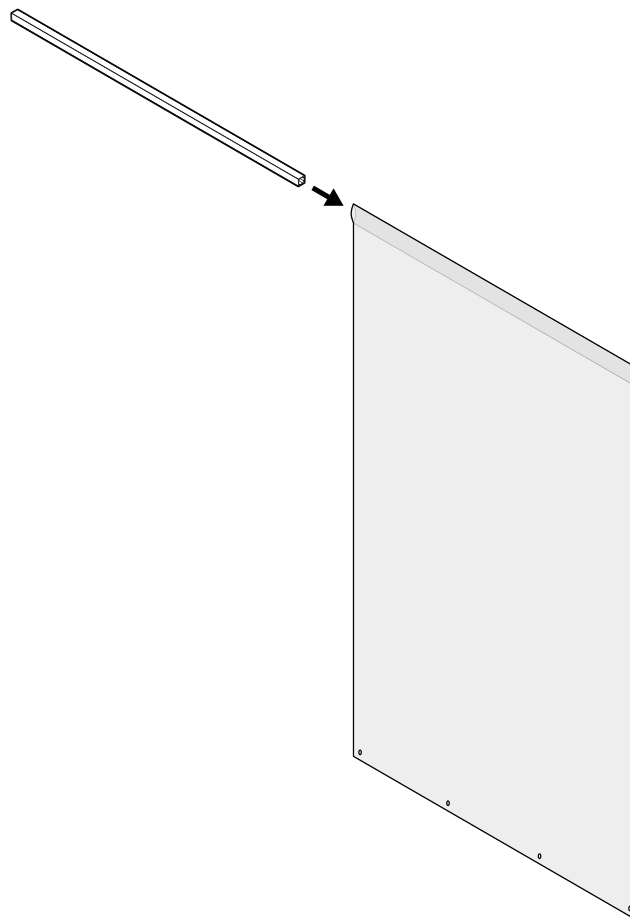


Measures

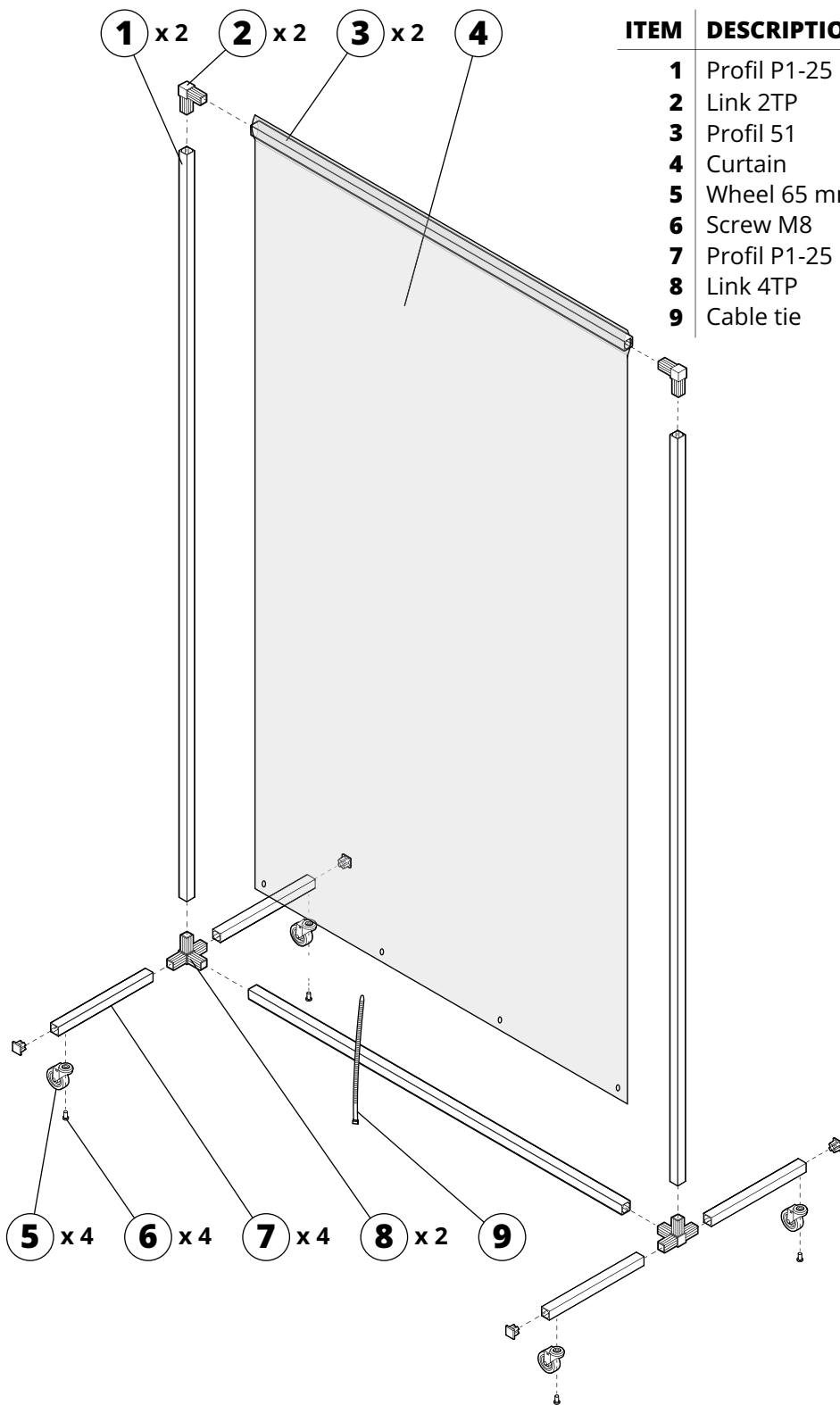
	(mm)	
	BDR 100	BDR 200
A	1850	1925
B	1910	1985
C	1360	2000
D	1420	2060



1

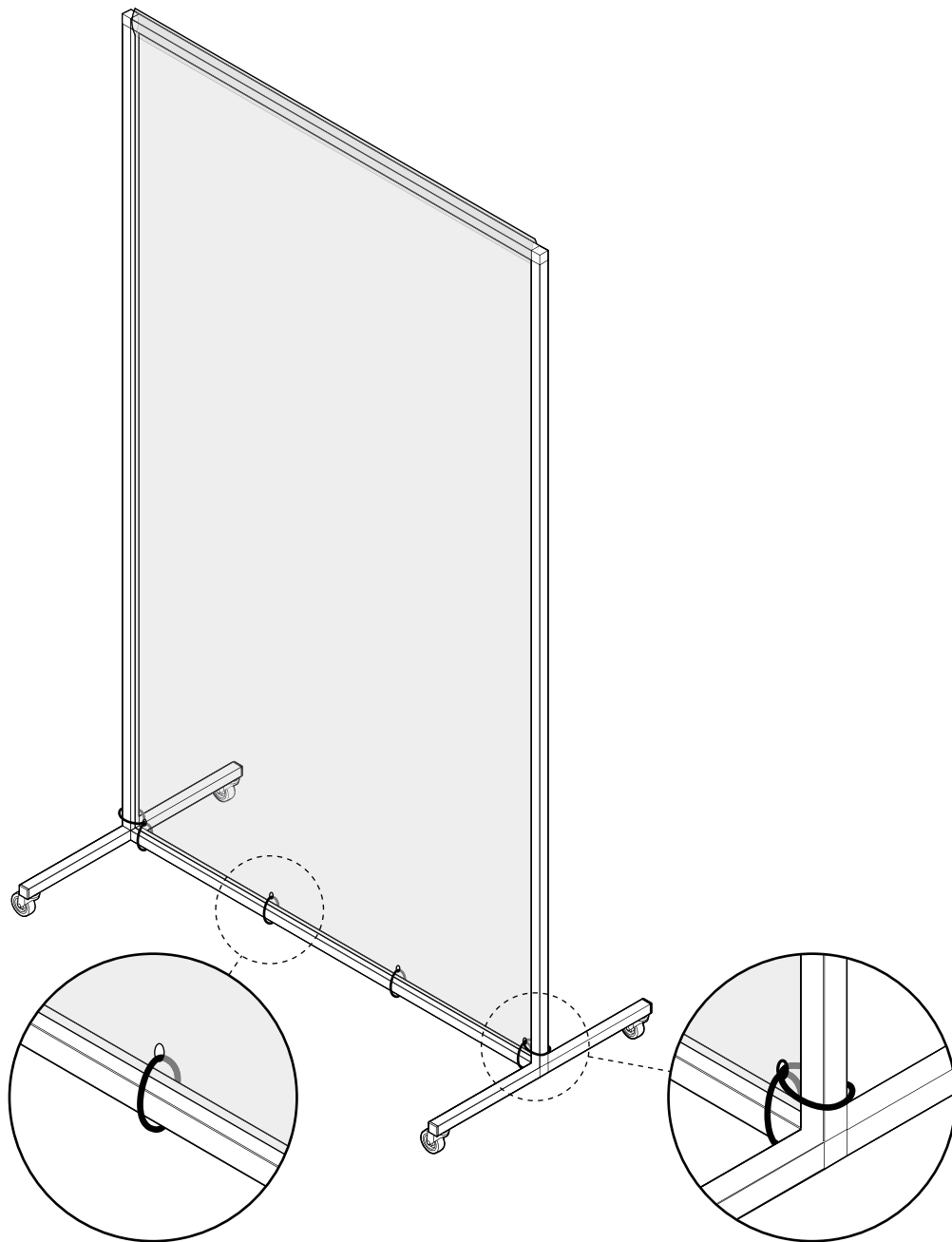


2



ITEM	DESCRIPTION	BDR 100	BDR 200
1	Profil P1-25	L= 1850 mm	1925 mm
2	Link 2TP		
3	Profil 51	L= 1360 mm	2000 mm
4	Curtain		
5	Wheel 65 mm		
6	Screw M8		
7	Profil P1-25	L= 300 mm	300 mm
8	Link 4TP		
9	Cable tie	Qty= 6 pcs	7 pcs

3



EXTRACTION ARMS • VEHICLE EXHAUST EXTRACTION • FANS • FILTERS • CURTAINS • CONTROLS

FUMEX

Verkstadvägen 2, 931 61 Skellefteå, SWEDEN • +46 (0)910-361 80 • info@fumex.se • www.fumex.com