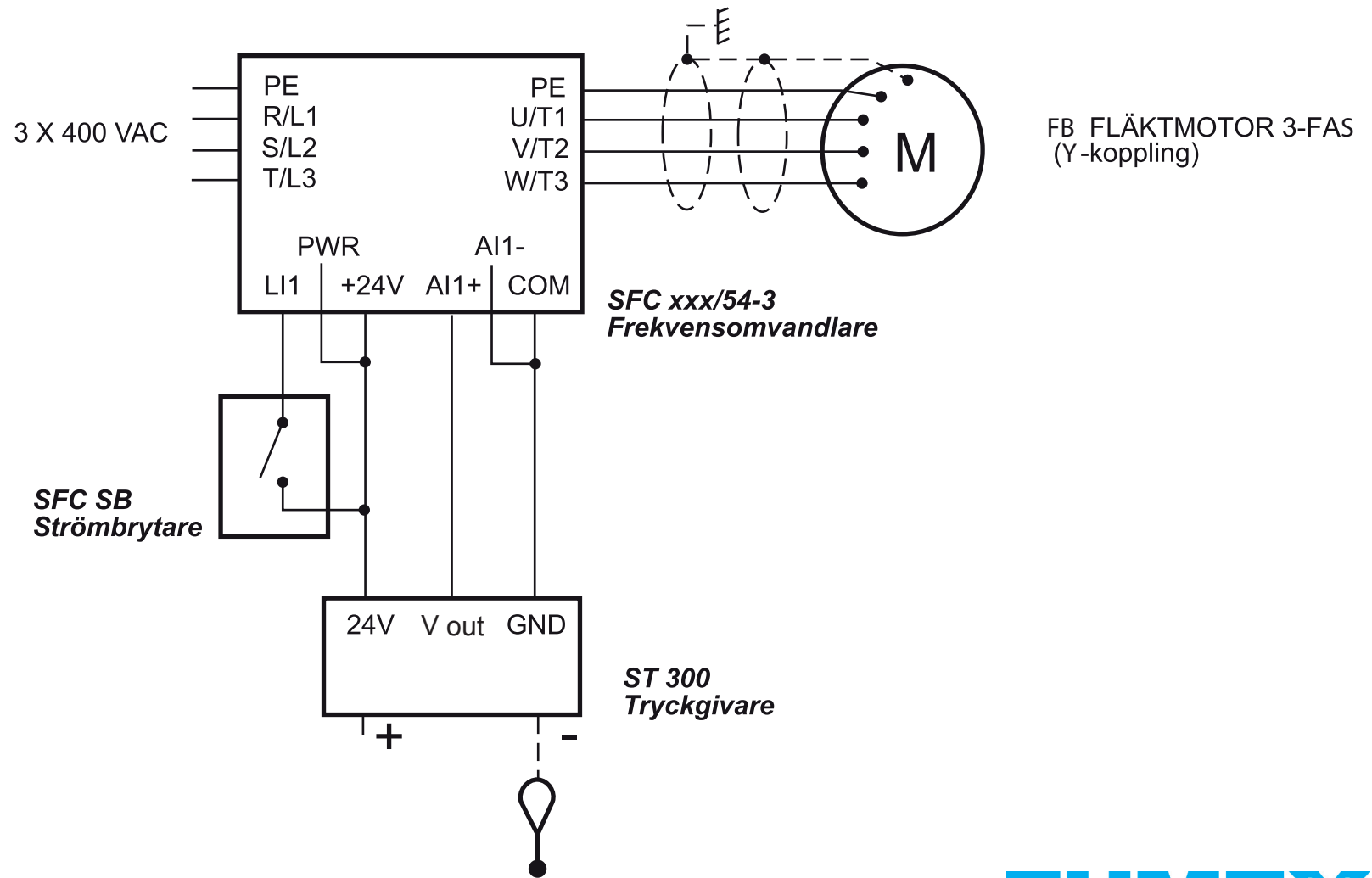


ELFÖRBINDNINGSSCHEMA SYSTEM 1:4, 3-FAS, IP54

1838



CONNECTION DRAWING SYSTEM 1:4, 3-PHASE, IP54

1838

