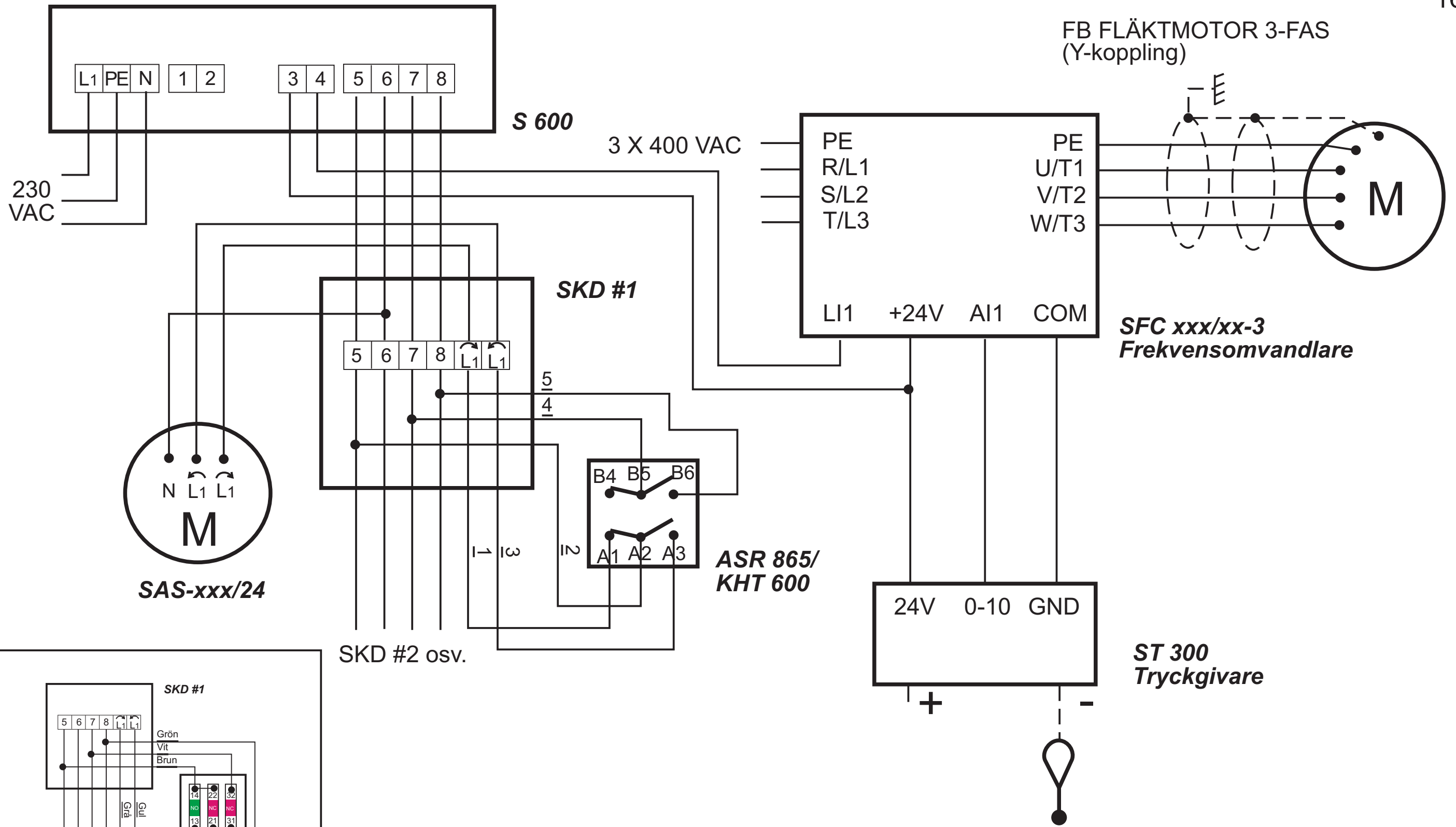


ELFÖRBINDNINGSSCHEMA SYSTEM 4:10, 3-FAS

1647

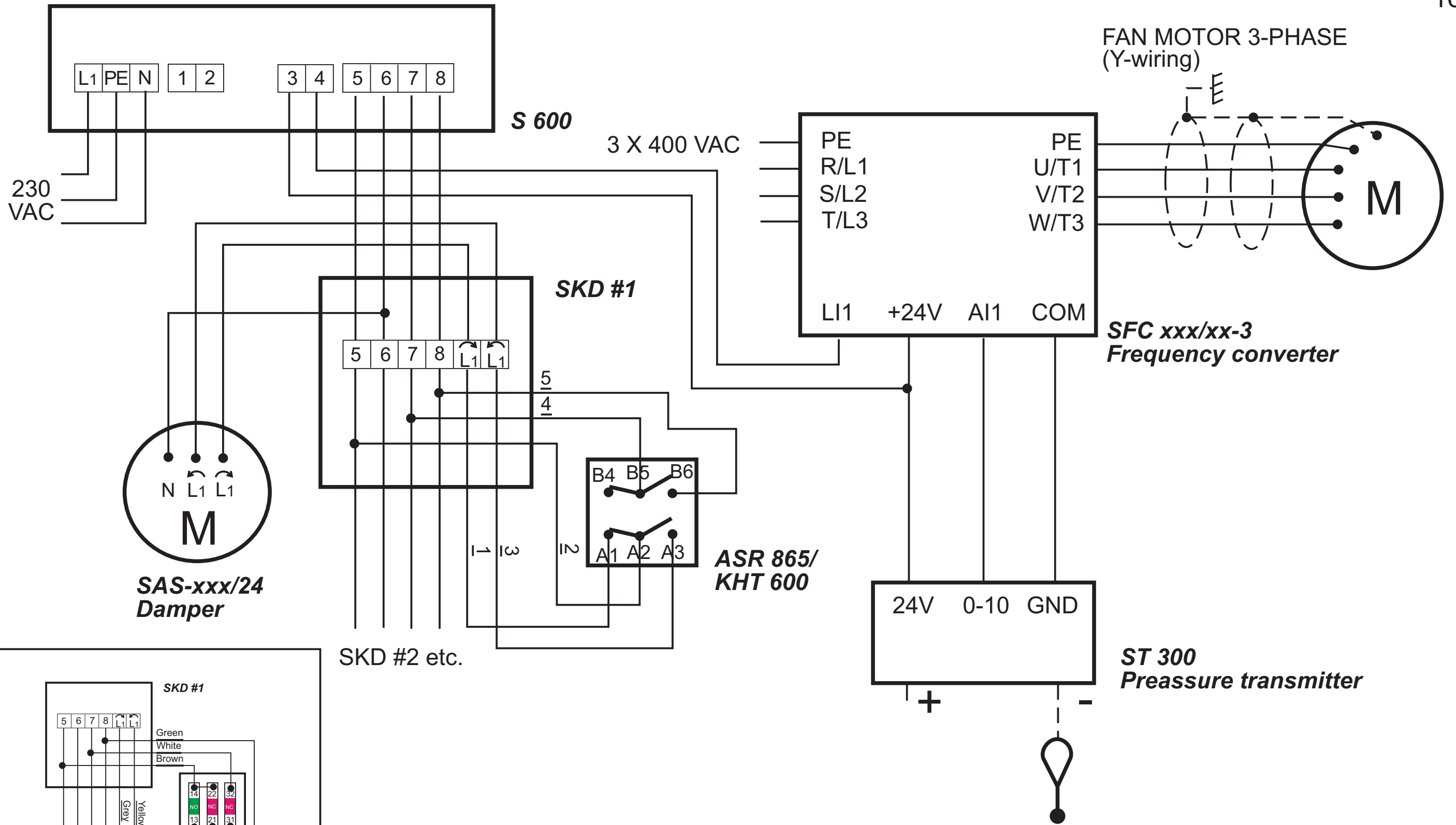


Copyright Fumex AB 2016

FUMEX®

CONNECTION DRAWING SYSTEM 4:10, 3-PHASE

1647



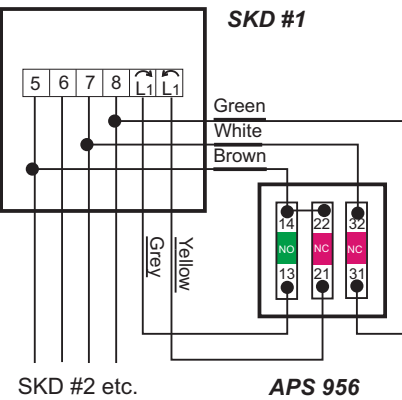
**SAS-xxx/24
Damper**

SKD #1

**ASR 865/
KHT 600**

**SFC xxx/xx-3
Frequency converter**

**ST 300
Pressure transmitter**



Copyright Fumex AB 2016

FUMEX®