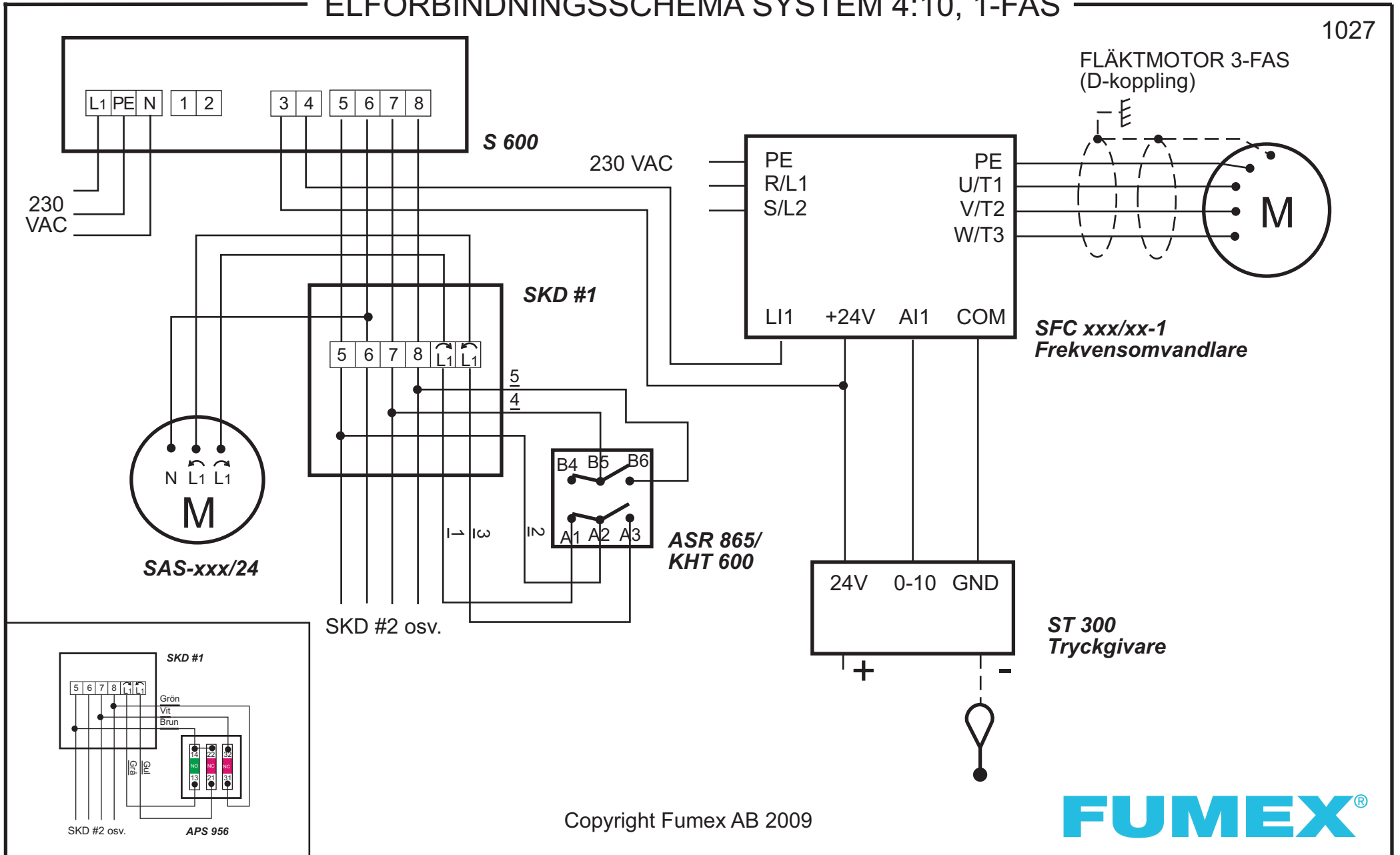


# ELFÖRBINDNINGSSCHEMA SYSTEM 4:10, 1-FAS

1027

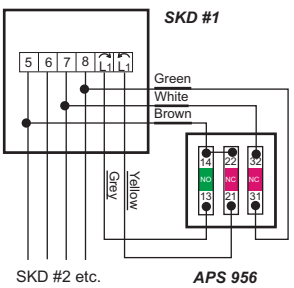
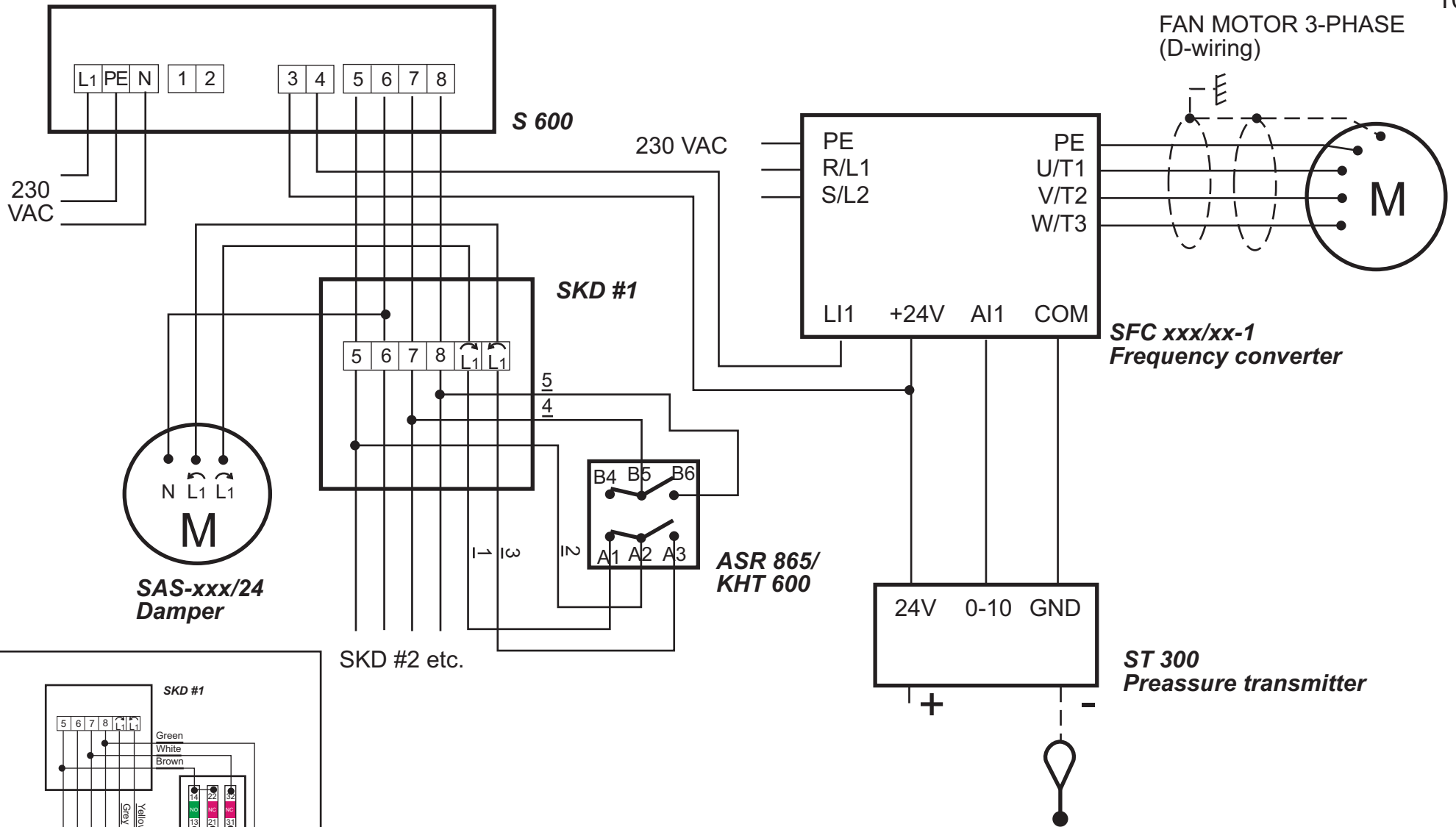


Copyright Fumex AB 2009

**FUMEX**<sup>®</sup>

# CONNECTION DRAWING SYSTEM 4:10, 1-PHASE

1027



Copyright Fumex AB 2009

**FUMEX**<sup>®</sup>