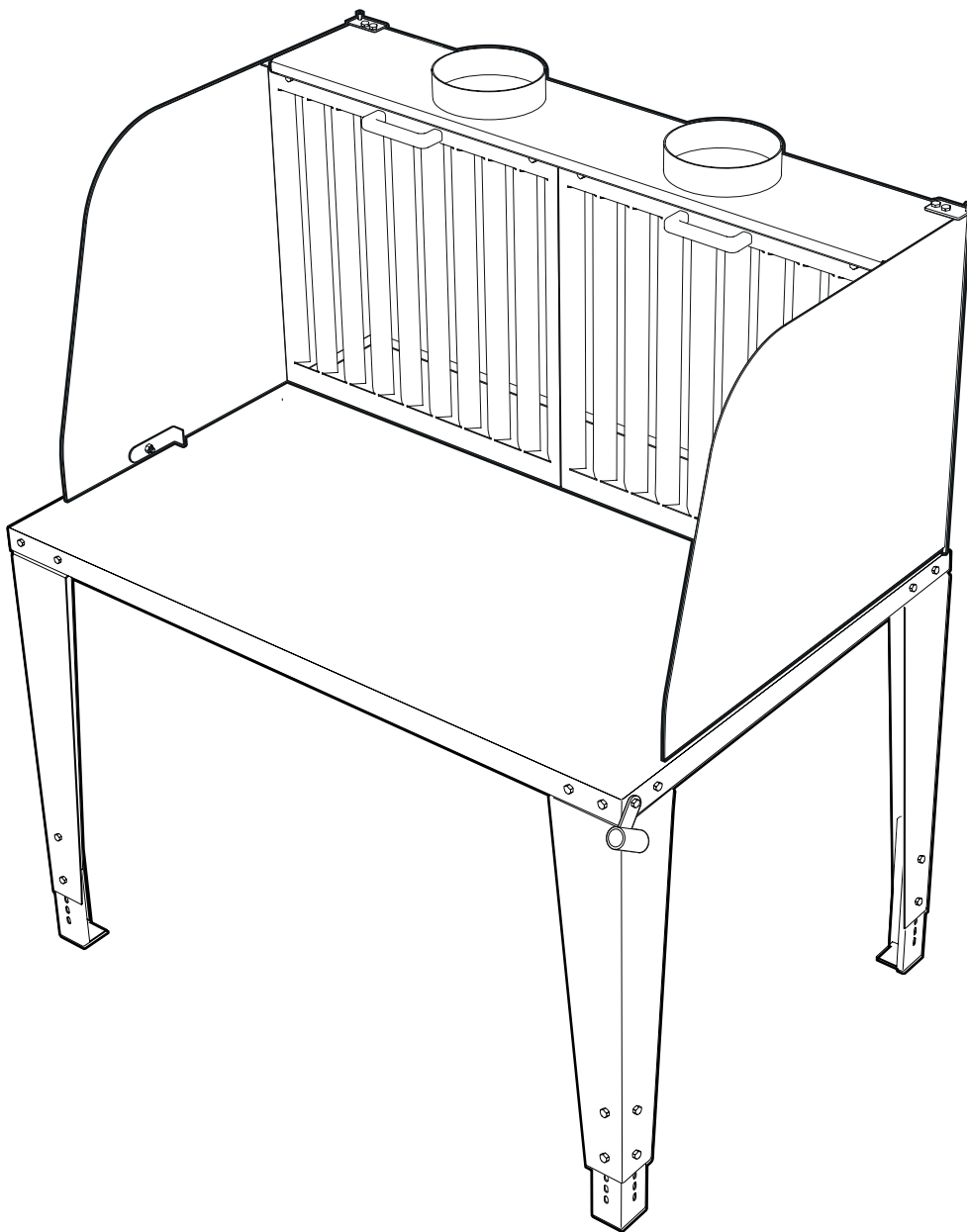
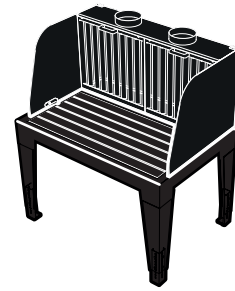
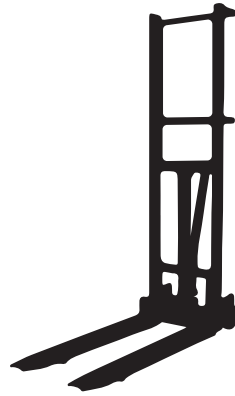
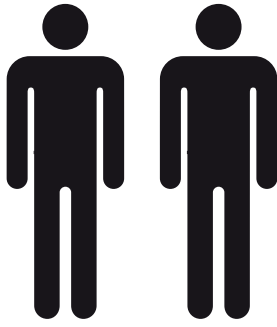


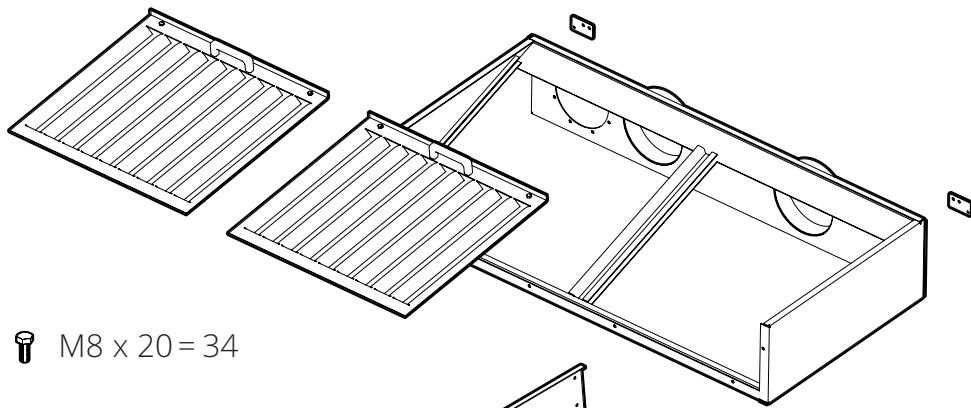



# TW






140 kg



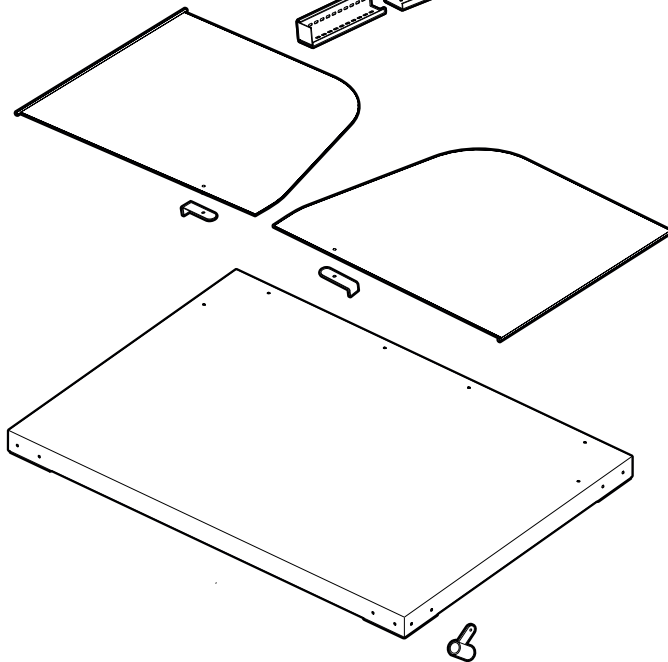
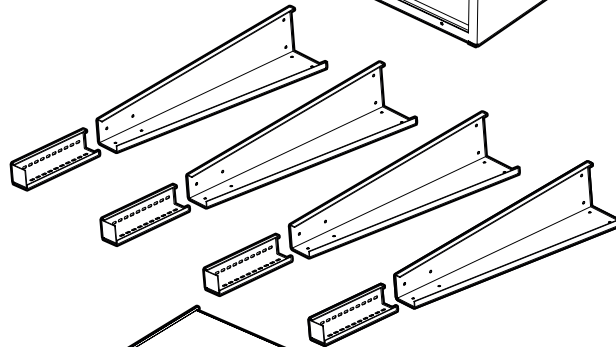
 M8 x 20 = 34

 M8 = 48

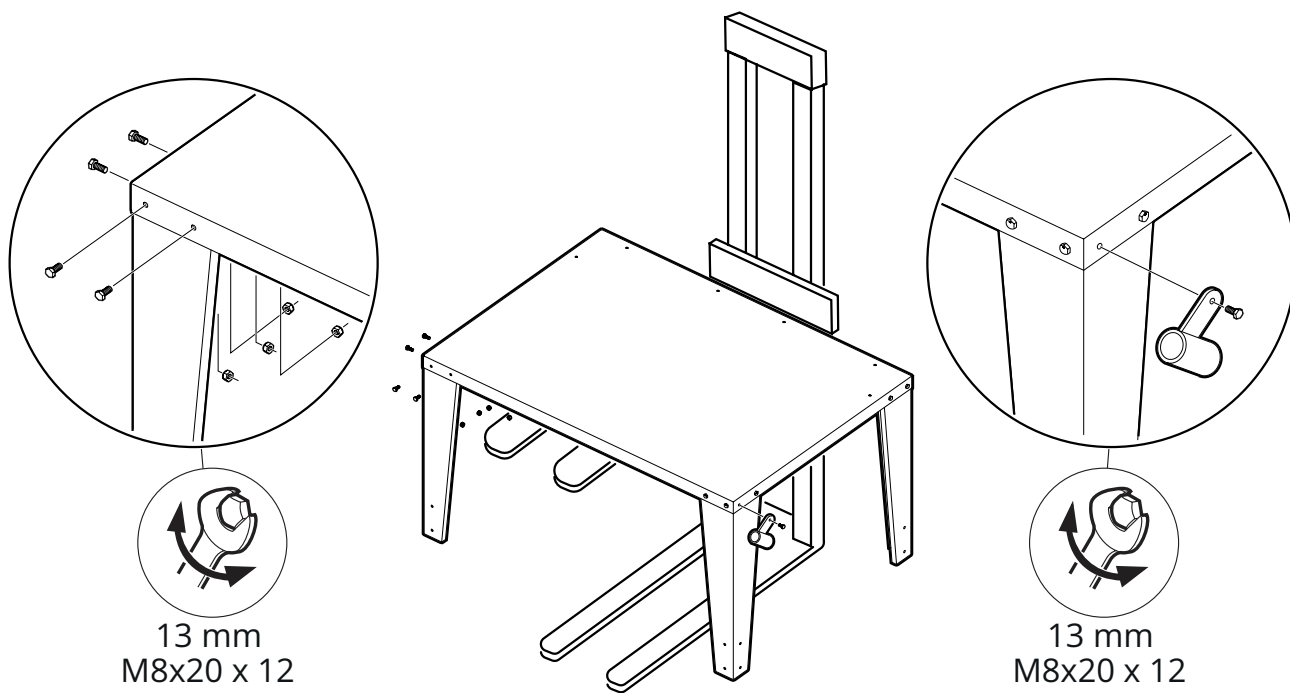
 M8 = 2

 M8 x 16 = 10

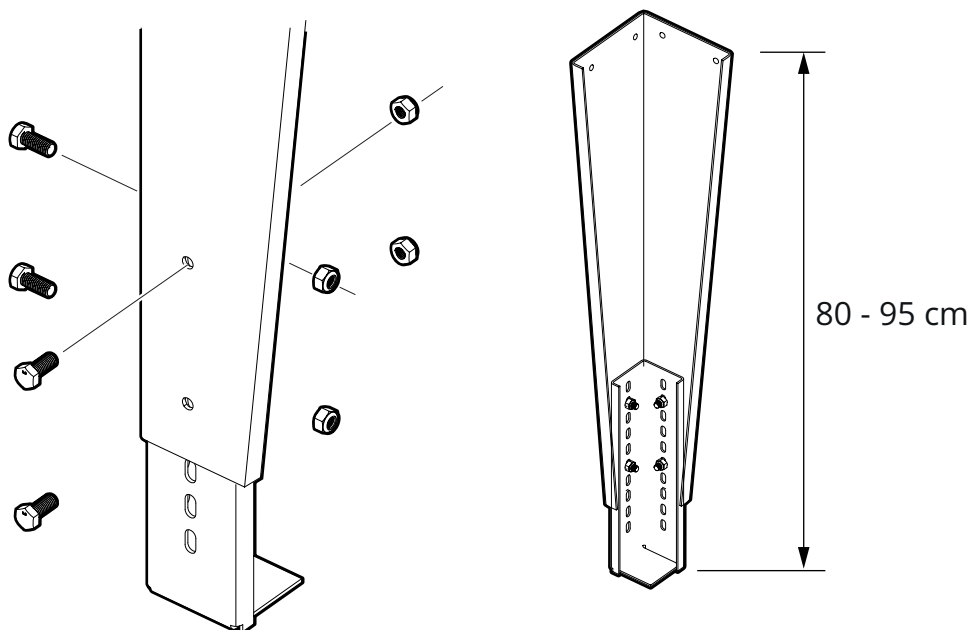
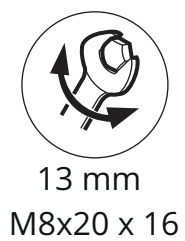
 M8 x 10 = 4



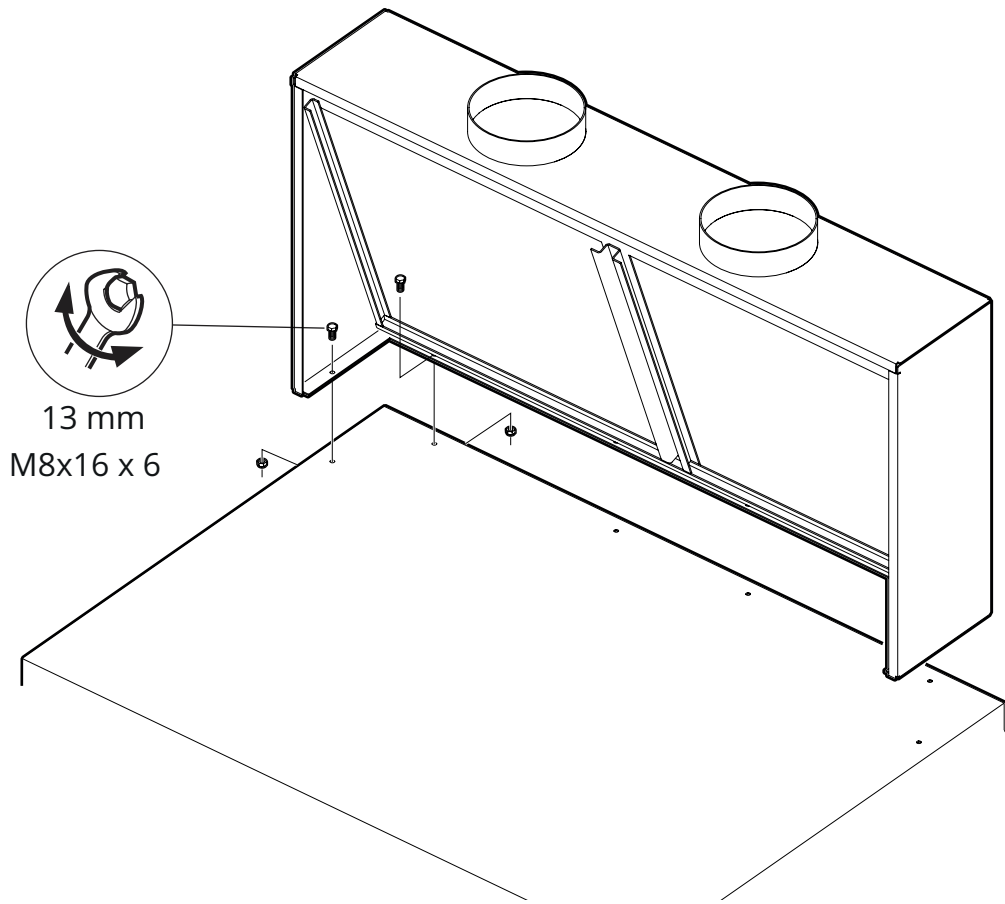
**1**



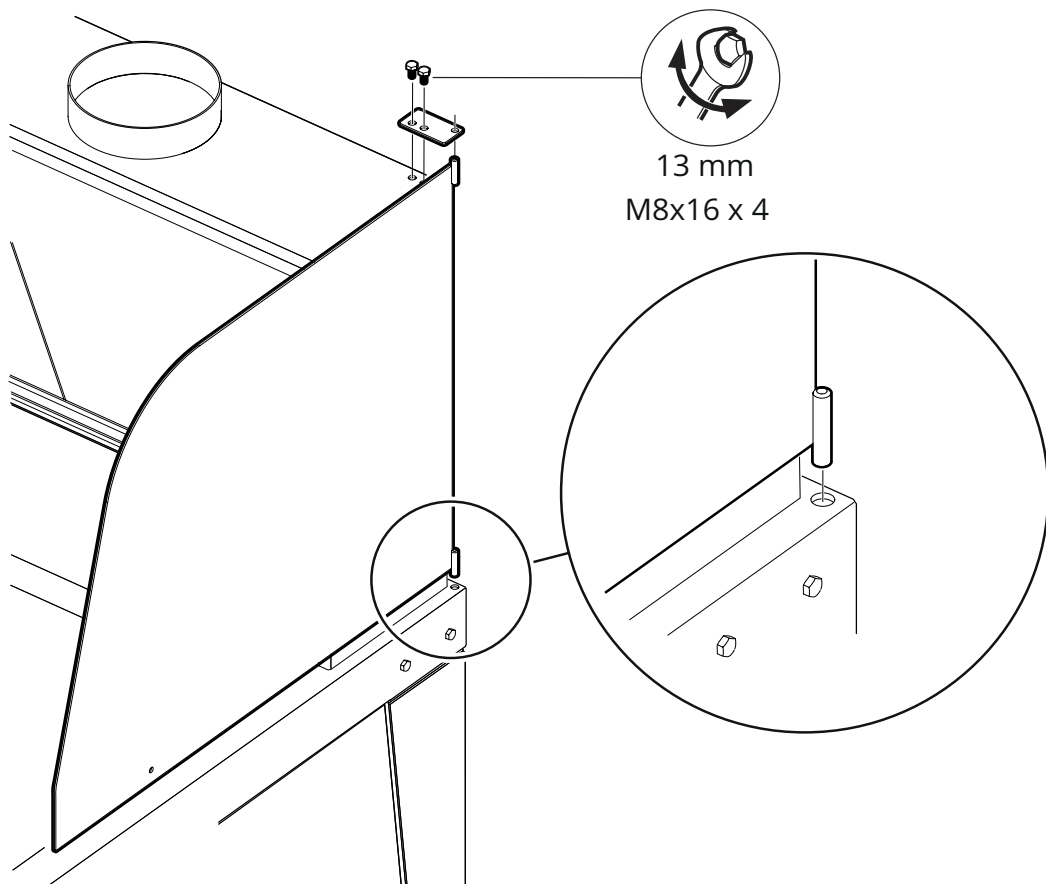
**2**



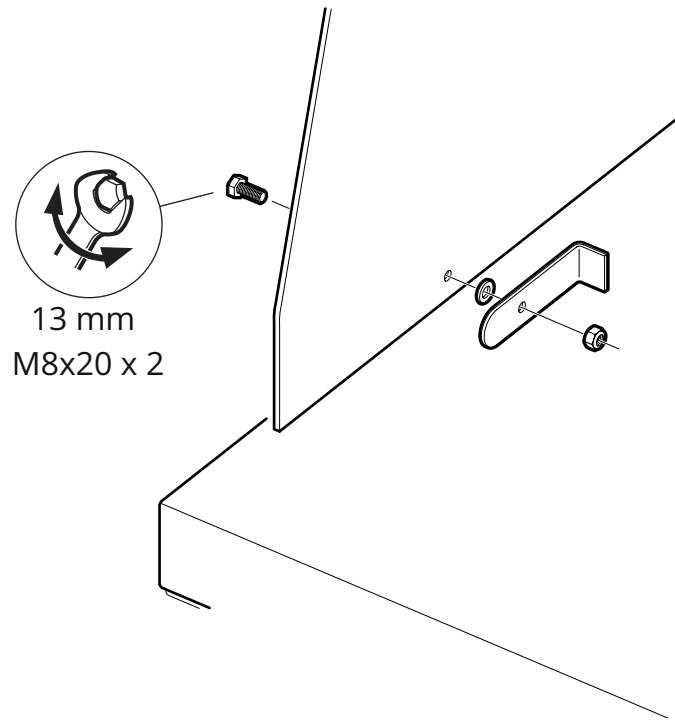
3



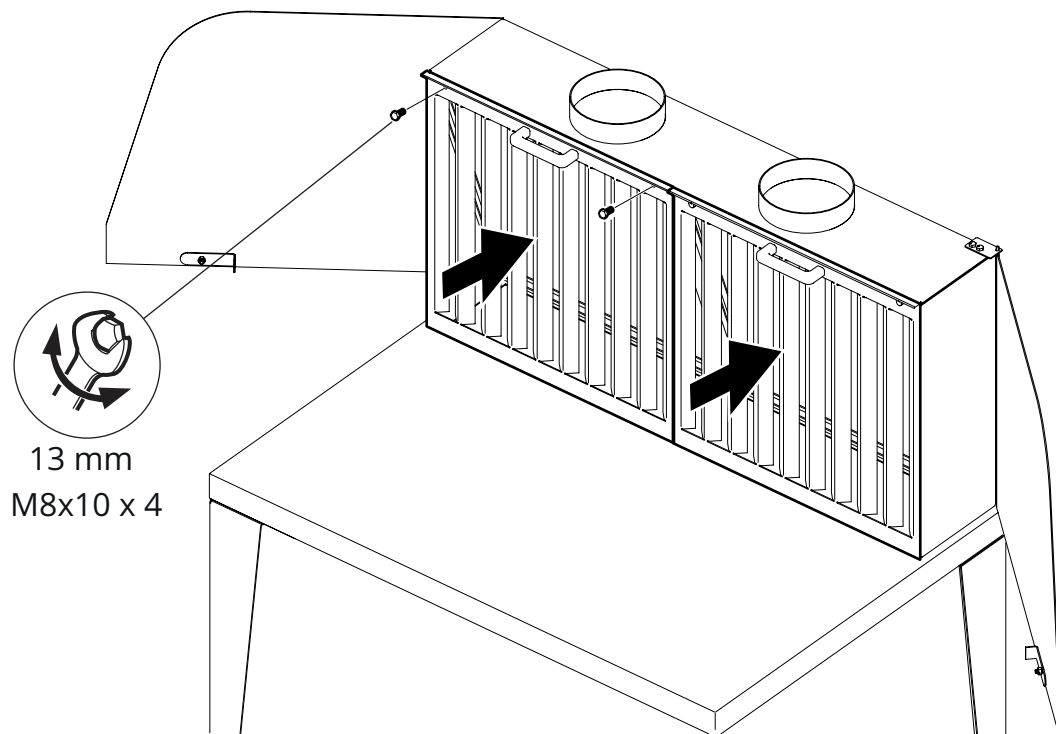
4



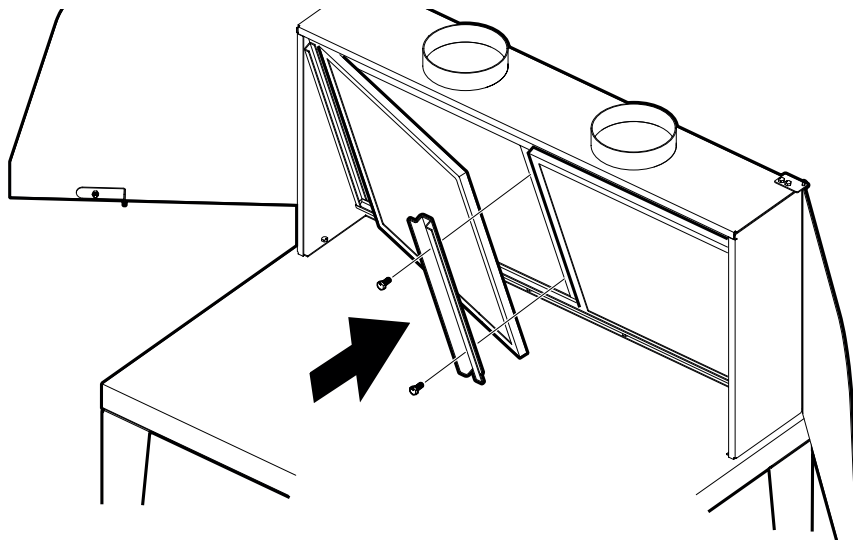
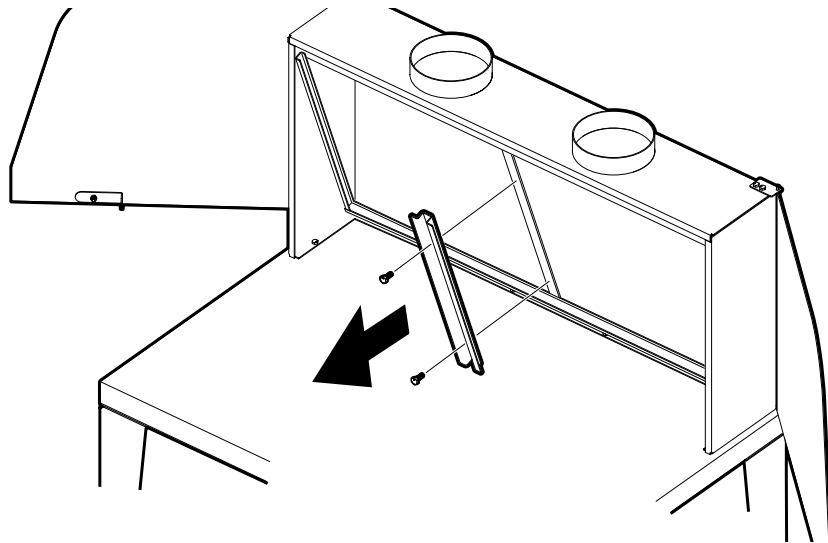
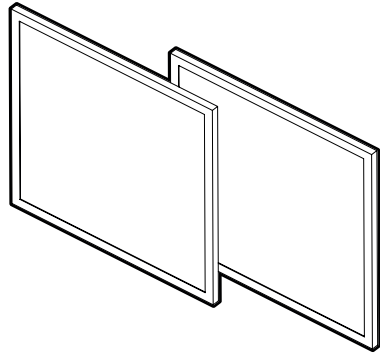
5



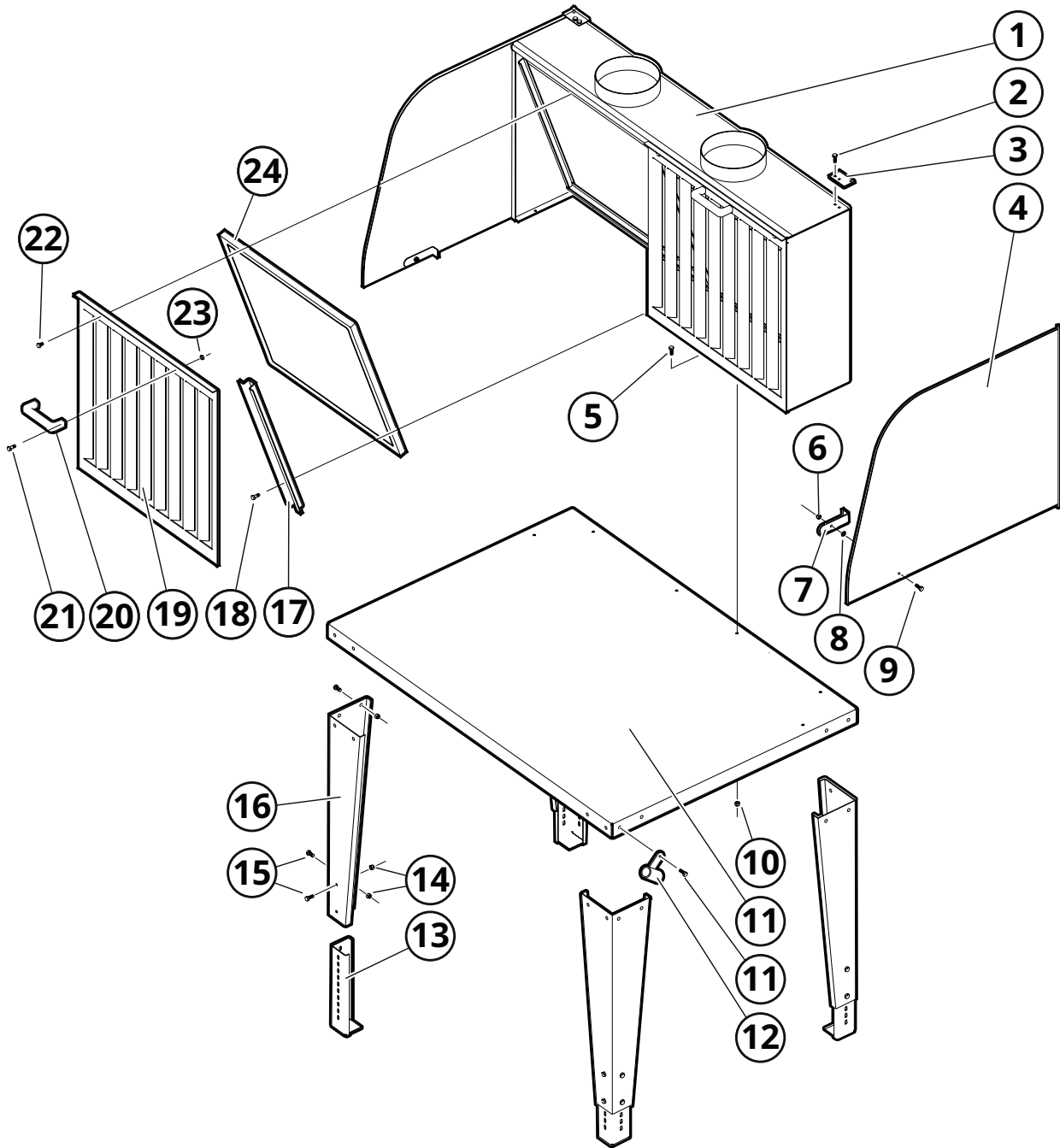
6



# Spark trap TST (Accessory)



# Exploded view



The **FUMEX** product range includes Extraction Arms • Vehicle Exhaust Extraction • Fans • Filters • Controls • Workshop Equipment

**FUMEX**

Verkstadsvägen 2, 931 61 Skellefteå, SWEDEN • +46 (0)910-361 80 • info@fumex.se • [www.fumex.com](http://www.fumex.com)