



# PSS

High-quality, acid-resistant extractor arm in stainless steel for stringent sanitary requirements



**FUMEX PSS**  
simple to  
install, easy  
to clean.



#### **EASY CLEANING:**

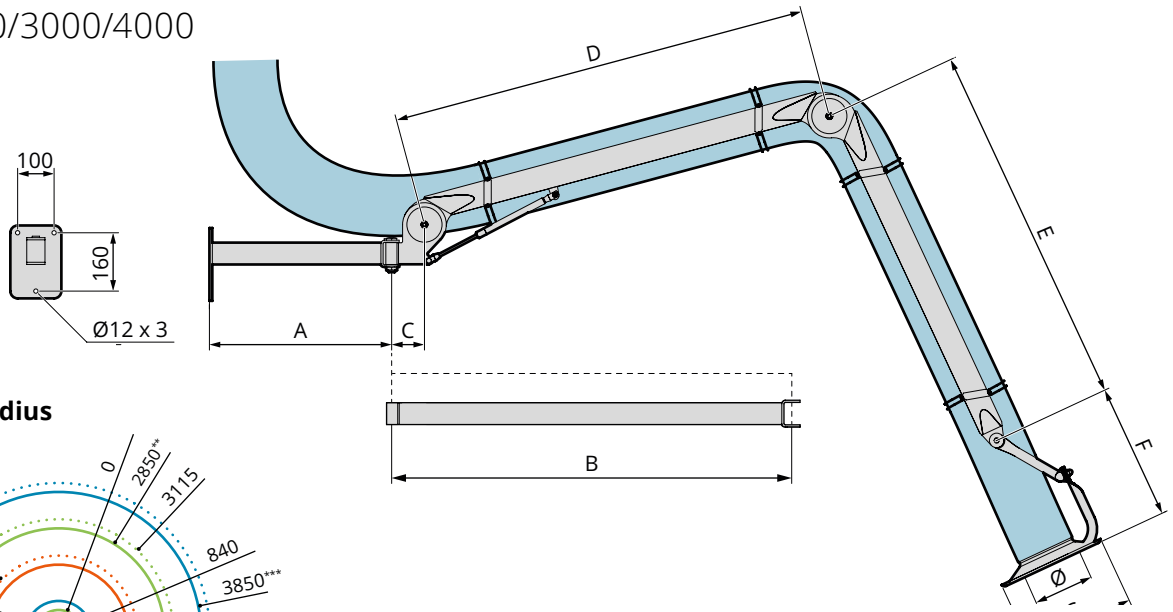
1. Acid-resistant, high-gloss polished steel
2. Quick hose connection
3. Detachable protective grille
  - Component-free airflow
  - Fully sealed profile
  - Few components
  - Food-grade hose
  - Permanent antistatic earthing

## Fully stainless steel extractor arm for demanding work environments.

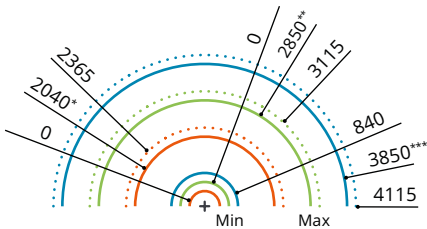
**FUMEX PSS** - smart and stylish design developed primarily for industries with stringent hygiene requirements, such as the food and pharmaceutical industries. The design evolved from FUMEX's fundamental principle on external support arms, which produce the lowest pressure drop and pose little risk of blockage. All surface finishing is high-gloss polished stainless steel, and the antistatic hose is fitted with quick-connectors, which makes PSS the easiest extractor arm to clean in the industry. Available in lengths of 2/3/4 metres and in sizes of Ø100/160/200 mm.

# Dimensional drawing (mm)

PSS 2000/3000/4000



## Working radius



- = Max. radius
- = Working radius

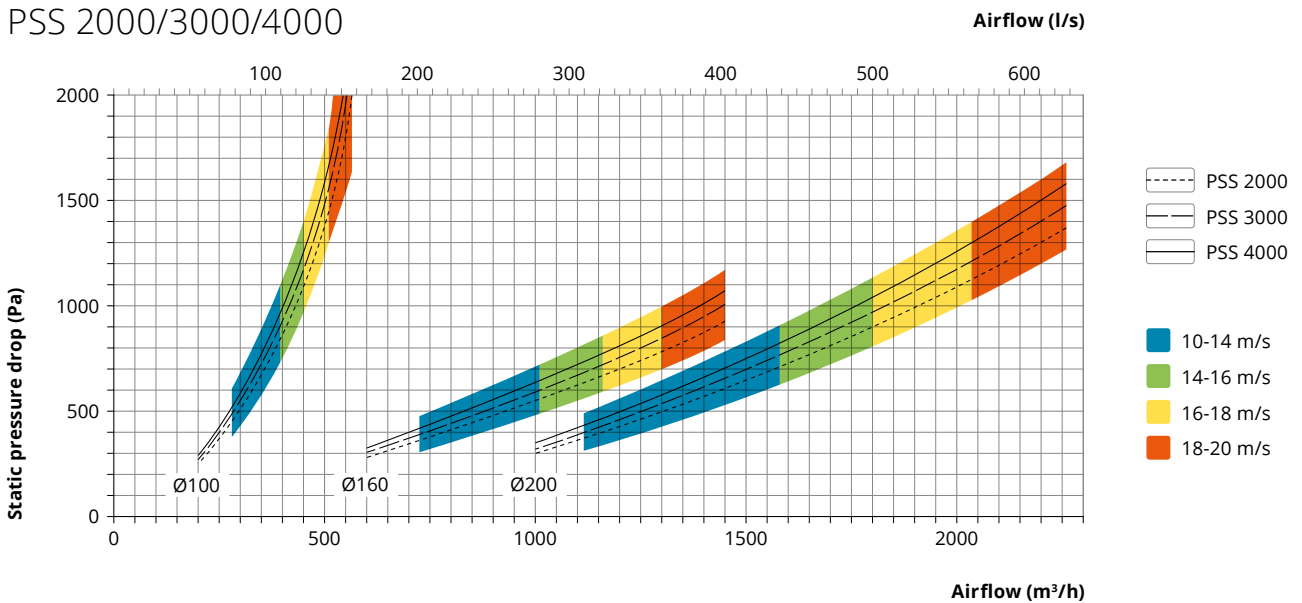
\* At 2000 mm mounting height and 750 mm working height.  
 \*\* At 2150 mm mounting height and 750 mm working height.  
 \*\*\* At 2150 mm mounting height and 750 mm working height.

Model	A	B*	C	D	E	F	G	Ø
PSS 2000	500	-	90	650	750	370	300	100/160/200
PSS 3000	500	-	90	1150	1000	370	300	100/160/200
PSS 4000	500	1000	90	1150	1000	370	300	100/160/200

\* Only applies to PSS 4000.

# Pressure drop diagram

PSS 2000/3000/4000



## Accessories

PSS 2000/3000/4000

### Damper PSMS

Food-grade manual damper in acid-resistant steel. Easy to fit/remove for quick and easy cleaning.

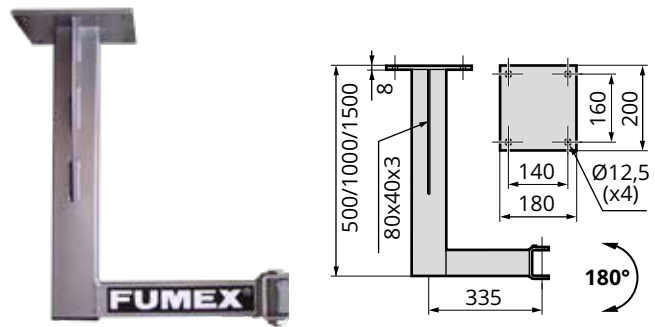
Model	Dimensions (Ø)
PSMS 100	100 mm
PSMS 160	160 mm
PSMS 200	200 mm



### Ceiling bracket TIX SS

Ceiling bracket in sealed, high-gloss polished and acid-resistant profile steel.

Model	Length
TIX 500 SS	500 mm
TIX 1000 SS	1000 mm
TIX 1500 SS	1500 mm



## Specification

### Form of delivery

The extractor arm is supplied partially assembled with wall bracket for simple installation.

### Hose type

Polyether polyurethane. Helix made of stainless steel wire. Withstands temperatures between -40 °C to +100 °C. Permanent antistatic ( $R \leq 10^9$  Ohm). Resistant to hydrolysis and microbes, non-toxic, and food-grade certified in accordance with EC Regulation No. 1935/2004 and No. 10/2011, FDA standards 21 CFR 177.2600 and 178.2010. Other hoses with special adaptations can be supplied upon request. Kindly contact Fumex.

### Surface treatment

Steel parts	High-gloss polished RA >1.0 acid-resistant stainless steel, quality EN 1.4401/ AISE 316L
Plastic parts	PA6 (FDA)
Rubber parts	EPDM (FDA)

### Weight (hose excluded)

Model	Weight (kg)
PSS 2000	10.9
PSS 3000	11.9
PSS 4000	16.6

FUMEX SUPPLIES EXTRACTOR ARMS · VEHICLE EXHAUST EXTRACTORS · FANS · FILTERS · CONTROLS · WORKSHOP EQUIPMENT

# FUMEX

Verkstadsvägen 2, 93161 Skellefteå, Sweden • Tel.: +46 910-361 80 • Fax: +46 910-130 22 • E-mail: info@fumex.se

[www.fumex.com](http://www.fumex.com)