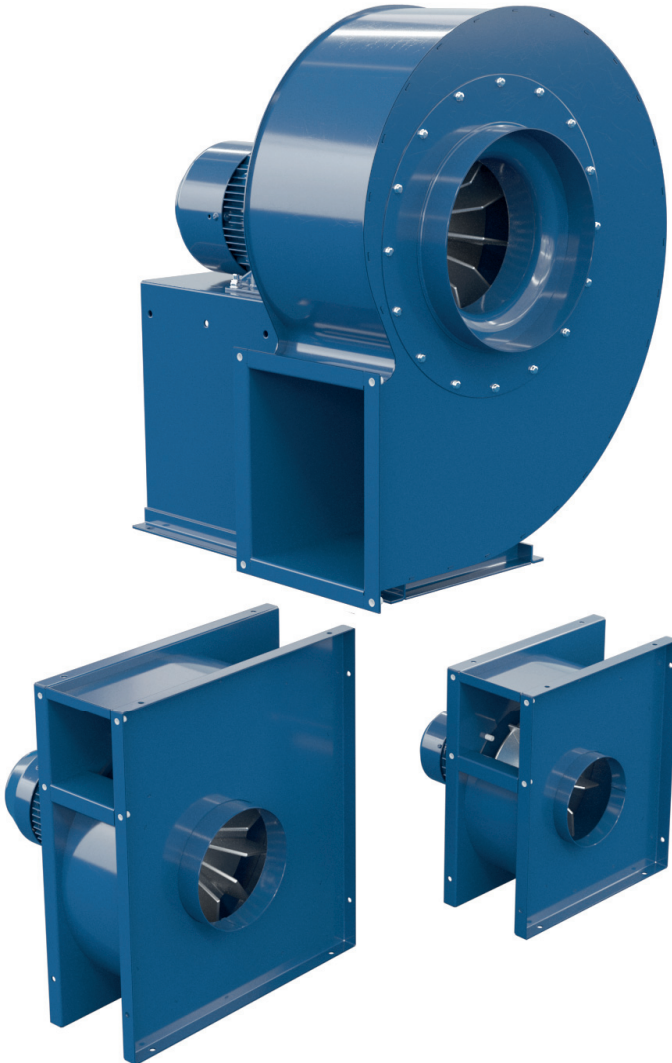


# FUMEX

## FT



FUMEX FT fans are designed to operate reliably in highly polluted air with no deterioration in performance. The self-cleaning impellers reduce the risk for any out of balance condition.

The impeller is designed with straight blades, in cast aluminium, which reduces the risk of sparks.

The exhaust direction is easily changed by adjusting the fan casing.

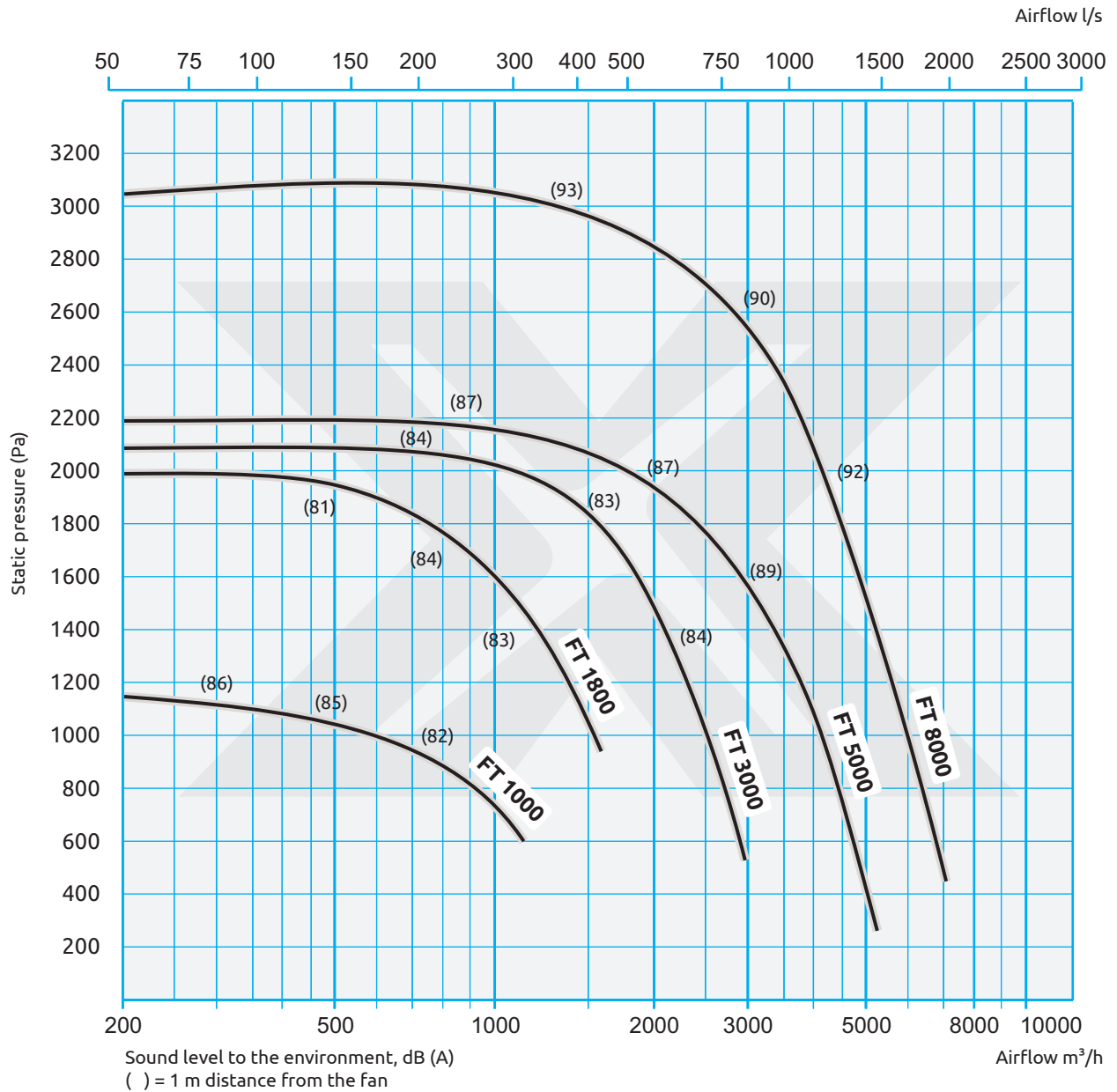
The fans are optimised for use together with the Fumex product range for local extraction in industrial environments.

A number of accessories are available for the FT range to make installation and use easier and more efficient.

*The Fumex range also includes local extraction, accessories, automatic control and filters compatible with the fans.*

**Pure Advantages**

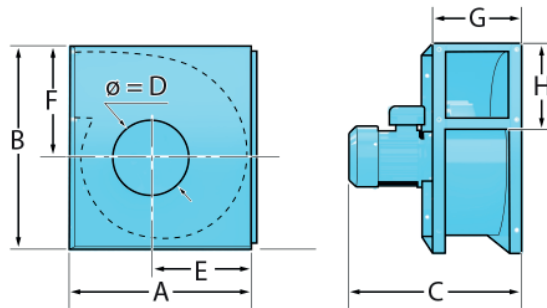
## FAN PERFORMANCE - noise data in brackets



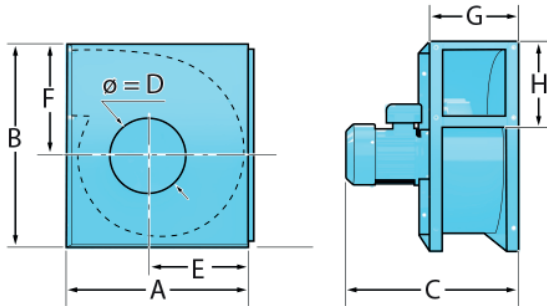
Designation	Nominal speed (rpm)	Rated power (kW)	Rated current (A)		Voltage (V)
			3-phase 230V	400V	
FT 1000-3	2800	0,55	2,25	1,30	230/400
FT 1800-3	2800	1,10	4,00	2,30	230/400
FT 3000	2800	2,20	7,60	4,30	230/400
FT 5000	2800	4,00	-	7,40	400/690
FT 8000	2800	7,50	-	13,50	400/690
			1-phase 230V		
FT 1000-1	2800	0,55	3,60		230
FT 1800-1	2800	1,10	7,30		230

## DIMENSIONS AND WEIGHT

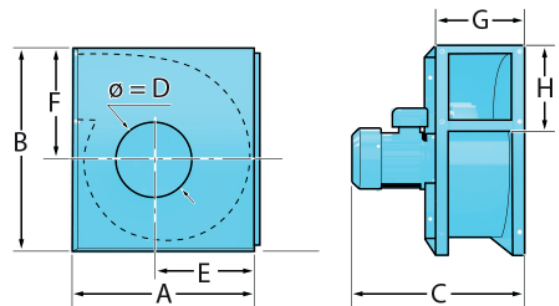
**FT 1000**



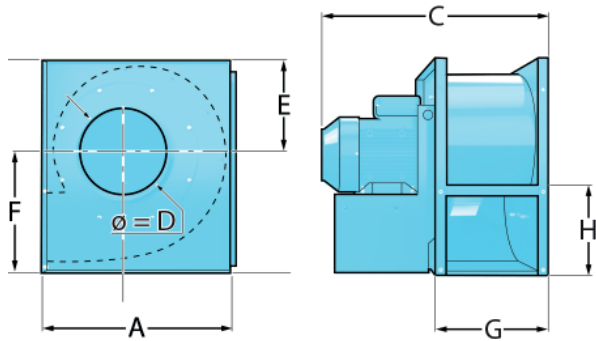
**FT 1800**



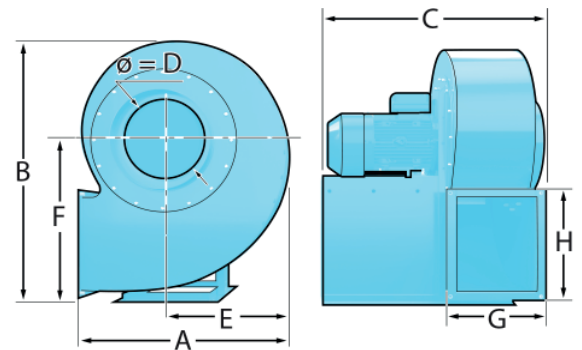
**FT 3000**



**FT 5000**



**FT 8000**

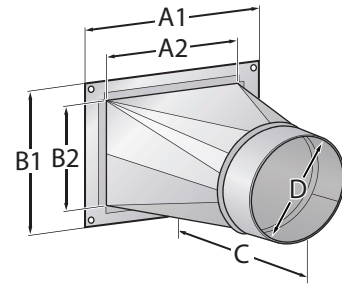


Designation	Dimensions (mm)								Total weight (kg)
	A	B	C	Ø D	E	F	G	H	
FT 1000	382	432	397	Ø160	170	237	183	178	15
FT 1800	503	571	423	Ø160	221	321	163	185	24
FT 3000	503	571	423	Ø 200	221	321	193	185	33
FT 5000	504	572	620	Ø 250	222	322	294	234	55
FT 8000	655	848	682	Ø315	260	522	304	340	73

## ACCESSORIES

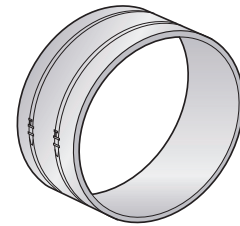
**FTO** Transition from rectangular to round connection on the fan outlet side.

Designation	Dimensions (mm)					
	A1	A2	B1	B2	C	D
FTO 1000	183	130	178	133	240	Ø 158
FTO 1800	163	110	185	140	205	Ø 158
FTO 3000	193	140	185	140	250	Ø 198
FTO 5000	294	240	234	195	325	Ø 248
FTO 8000	304	240	340	286	320	Ø 312



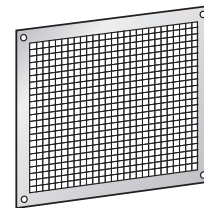
**FTD** Flexible connector for the fan suction side, including two assembly clamps.

FTD 1000	for FT 1000 and FTO 1000	Ø 160 mm
FTD 1800	for FT 1800 and FTO 1800	Ø 160 mm
FTD 3000	for FT 3000 and FTO 3000	Ø 200 mm
FTD 5000	for FT 5000 and FTO 5000	Ø 250 mm
FTD 8000	for FT 8000 and FTO 8000	Ø 315 mm



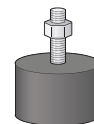
**FTG** Protective guard for the fan outlet side when not connected to ducting.

FTG 1000	for FT 1000	183x178 mm
FTG 1800	for FT 1800	163x185 mm
FTG 3000	for FT 3000	193x185 mm
FTG 5000	for FT 5000	294x234 mm
FTG 8000	for FT 8000	304x340 mm



**FTV** Vibration damper kit, consisting of four vibration dampers manufactured from natural rubber with a hardness of 60° IRH.

FTV 1000	for FT 1000 and FT 1800	40x30 mm/M8
FTV 3000	for FT 3000, FT 5000 and FT 8000	50x30 mm/M10



### Fan casing

Made of powder coated sheet steel.

### Impellers

T-impellers made of cast aluminium alloy.

### Motor

3-phase or 1-phase asynchronous motors. Housing rated IP 55. Other voltages available on request.

### Temperature

The operating temperature for the fan is a maximum air temperature of 80°C and a maximum ambient temperature of 40°C.

### Delivery configuration

FT 1000, FT 1800 and FT 3000, delivered as standard in RD 90 version.

FT 5000 och FT 8000, delivered as standard in LG 270 version.

### Additional information

Fumex range of fans also includes ERP-directive fans type FB and plastic fans in polypropylene. Fans FT and plastic fans are also available in ATEX versions.

FUMEX may also supply larger fans on request.